

Studio Due[®]

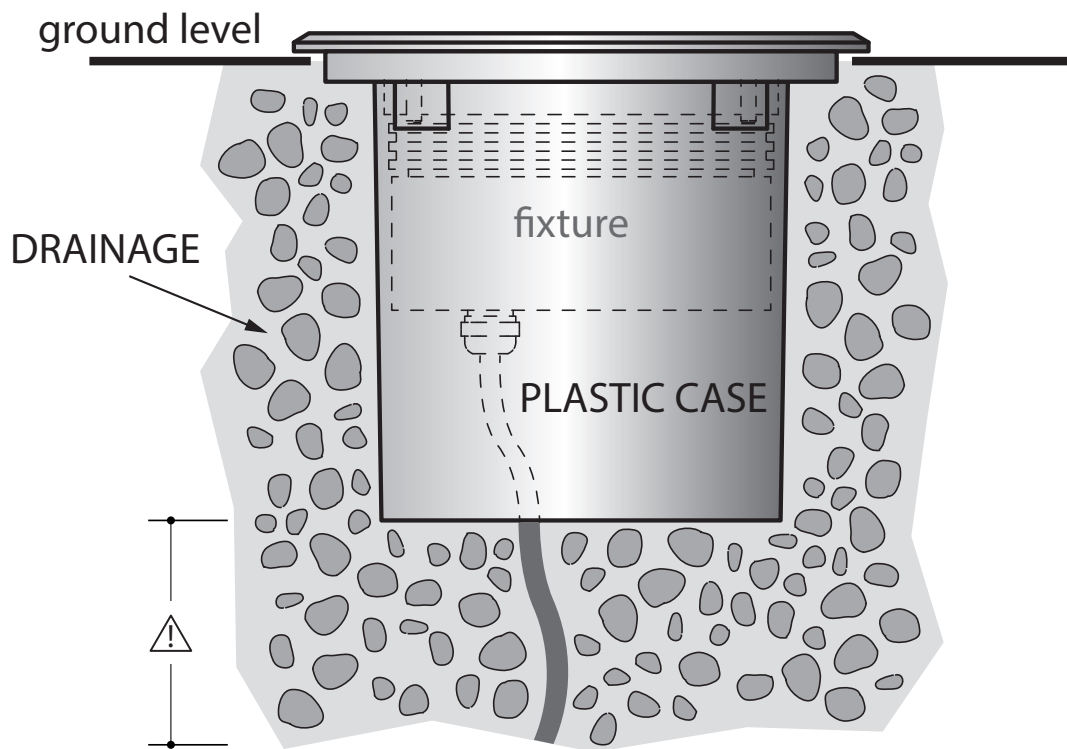
emotion and creativity in light




Terra TL SS316 series

monochromatic and rgbw

User manual
Manuale d'uso



 be sure to create sufficient drainage around the plastic case

INDEX / INDICE

4	SAFETY INFORMATION (service personnel)
5	INTRODUCTION
6	TECHNICAL FEATURES / CARATTERISTICHE TECNICHE
20	EXAMPLE OF FIXTURE CONNECTION / ESEMPIO DI CONNESSIONE APPARECCHIO
23	EXAMPLE OF CONNECTION DMX CONTROLLER - FIXTURES / ESEMPIO DI COLLEGAMENTO CENTRALINA - FARI
24	SETUP AND CONFIGURATION BY DRS - DMX REMOTE SETUP
26	DRS MENU' LIST / ELENCO MENU DRS
28	DMX CHANNEL LIST / LISTA DEI CANALI DMX
30	PHYSICAL / DIMENSIONI
34	WARRANTY / GARANZIA

Studio Due

The features on this brochure are not binding: they can be changed without notice.

Le caratteristiche riportate su questo catalogo non sono impegnative: possono essere soggette a variazioni senza preavviso.

TERRA TL7 / 316SS



TERRA TL7 / 316SS with
Plastic Case (optional)



M-TERRA TL1 / 316SS



M-TERRA TL1 / 316SS with
Plastic Case (optional)



SAFETY INFORMATION (service personnel)

IMPORTANT !

READ ALL CAUTIONS AND WARNINGS PRIOR TO OPERATE THIS EQUIPMENT.

INSTRUCTION TO PREVENT INJURY OR DAMAGE DUE TO ELECTRIC SHOCK, FIRE, MECHANICAL HAZARDS, DANGEROUS MATTERS.

• PROTECTION AGAINST DANGEROUS MATTERS

At the end of its life, must be collected separately. It shouldn't be thrown as urban waste and neither released in the environment.

It must be collected from the nearest special waste collection point or consigned to your dealer that provides the service.

The incorrect waste disposal can damage the environment and the people for the presence of dangerous substances.

Sanctions are provided for an unauthorized disposal.

• PROTECTION AGAINST FIRE

1) Maintain minimum distance of 0,2 meter to lighted objects.

2) Replace fuses (if present) only with the specified type and rating.

3) Do not install the fixture close to heat sources. Do not lay the connection cable on the fixture when it is warm.

4) Fixture designed to be installed on normally flammable surfaces.

• PROTECTION AGAINST ELECTRIC SHOCK

1) This equipment must be earthed.

2) Class I equipment. The power supply cord includes a protective earthing conductor as part of the cord.

3) Disconnect power before servicing (service personnel).

4) To replace the LEDs, contact: Studio Due.

5) If the external flexible cable of this appliance is damaged, it must only be replaced by the manufacturer, its assistance service, or equivalent qualified personnel, in order to avoid dangers.

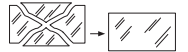
• PROTECTION AGAINST MECHANICAL HAZARDS

1) Use secondary safety chain when fixing this equipment.

2) The protection screens and the lenses must be replaced with genuine parts only if they are visibly damaged and their effectiveness has been reduced, for example, by cracks or deep scratches.

3) Do not look directly into the illuminated LEDs of the product for long periods of time. LED lamps can cause eye damage or irritation. Do not look directly into the light source using an optical instrument that focuses on the light beams.

The device should be positioned so that there is no prolonged observation of the device at a distance of less than 100cm. (RG1 – IEC/TR 62778:2014).



INFORMAZIONI DI SICUREZZA (personale di servizio)

IMPORTANTE !

LEGGERE ATTENTAMENTE TUTTI GLI AVVERTIMENTI PRIMA DI COMPIERE QUALUNQUE OPERAZIONE SU QUESTO APPARECCHIO.

ISTRUZIONI PER PREVENIRE LESIONI O DANNI DOVUTI AL FUOCO, ALLE SCOSSE ELETTRICHE, AI RISCHI MECCANICI ED A SOSTANZE PERICOLOSE.

•PROTEZIONE CONTRO SOSTANZE PERICOLOSE

A fine vita è oggetto di raccolta separata, non gettare nei comuni cassonetti di rifiuti urbani, né tantomeno nell'ambiente.

Può essere consegnato presso i centri di raccolta delle amministrazioni comunali, oppure presso i rivenditori che forniscono questo servizio.

Lo smaltimento errato può causare danni alle persone e all'ambiente per la possibile presenza di sostanze pericolose.

Sono previste sanzioni in caso di smaltimento abusivo dei suddetti prodotti.

•PROTEZIONE CONTRO IL FUOCO

1) Mantenere la distanza minima di 0,2 metri dagli oggetti illuminati.

2) Sostituire i fusibili (se presenti) solo con altri dello stesso tipo e valore.

3) Non installare il faro vicino fonti di calore. Non appoggiare il cavo di connessione sul faro quando questo è caldo.

4) Questo apparecchio è adatto per il montaggio su superfici normalmente infiammabili.

•PROTEZIONE CONTRO SCOSSE ELETTRICHE

1) Questo apparecchio necessita di messa a terra.

2) Apparecchio di Classe I. Il conduttore di protezione deve far parte del cavo di alimentazione.

3) Disconnettere l'alimentazione prima di aprire l'apparecchio (personale di servizio).

4) Per la sostituzione dei LED contattare l'azienda: Studio Due.

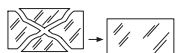
5) Se il cavo flessibile esterno di questo apparecchio è danneggiato, deve essere sostituito esclusivamente dal costruttore, dal suo servizio di assistenza, o da personale qualificato equivalente, al fine di evitare pericoli.

•PROTEZIONE CONTRO RISCHI MECCANICI

1) Usare la catena di sicurezza supplementare quando installate l'apparecchio.

2) Gli schermi di protezione e le lenti devono essere sostituiti sempre con ricambi originali se sono visibilmente danneggiati e se la loro efficacia è stata ridotta, per esempio, da fessure o incisioni profonde.

3) Non guardare direttamente nei LED illuminati del prodotto per lunghi periodi di tempo. Le lampade a LED possono causare danni o irritazione agli occhi. Non guardare direttamente nella sorgente luminosa utilizzando uno strumento ottico che si concentra sui fasci di luce. L'apparecchio dovrebbe essere posizionato in modo che non sia prevista un'osservazione prolungata dell'apparecchio ad una distanza inferiore di 100cm. (RG1 – IEC/TR 62778:2014).



INTRODUCTION

CHECK THAT THE FIXTURE HAS NOT BEEN DAMAGED DURING TRANSPORT. IF IT HAS BEEN DAMAGED OR IT DOES NOT WORK, ADDRESS THE SELLER. WHETHER THE FIXTURE HAS BEEN SHIPPED TO YOU DIRECTLY, PLEASE CONTACT THE SHIPPING COMPANY.
ONLY THE CONSIGNEE (PERSON OR COMPANY) CAN CLAIM FOR THESE DAMAGES.

Thanks for using TERRA or M-TERRA TL series. They come in RGBW or Monochromatic version.

These devices are distinguished by their IP68 protection rating (not for immersion) and AISI 316 body and flange.

Available in different LEDs combinations with 1 and 7 LEDs monochromatic or RGBW. Can be used to decorate columns, pillars, along walkways, on patios, in steps, to highlight and to landscape details and key elements.

TERRA TL7 POB 230V

TERRA TL7/316SS POB RGBW (art. 234111)

TERRA WTL7/316SS POB (art. 233010)

TERRA WTL7/316SS POB DALI (art. 232221)

TERRA WTL7/316SS POB PLUG-IN (art. 233000)

TERRA TL7 PSU ESTERNO 24V

TERRA TL7/316SS 24V RGBW (art. 234011)

TERRA WTL7/316SS 24V (art. 233040)

TERRA WTL7/316SS 24V DALI (art. 232222)

TERRA WTL7/316SS 24V PLUG-IN (art. 231000)

M-TERRA TL1 POB 230V

M-TERRA TL1/SS POB RGBW RDM (art. 232610)

M-TERRA WTL1/SS POB RDM (art. 232810)

M-TERRA WTL1/SS POB PLUG-IN (art. 232800)

M-TERRA TL1 PSU ESTERNO 24V

M-TERRA TL1/SS 24V RGBW RDM (art. 232210)

M-TERRA WTL1/SS 24V RDM (art. 232410)

M-TERRA WTL1/SS 24V PLUG-IN (art. 232400)

To obtain the best performances and for a correct functioning of this unit for the years to come, we suggest you to read carefully this manual before connecting or putting the fixture into use. By doing so you will gain experience with its commands and connections and you will be easily able to use it.

YOUR REFERENCE

Always remember to give the serial number and to specify the model any time you address the seller for information or assistance.

BASIC KIT

- Fixture
- User manual
- Studio Due warranty
- CE standards

INTRODUZIONE

CONTROLLATE CHE L'APPARECCHIO NON ABBA SUBITO ALCUN DANNO DURANTE IL TRASPORTO. SE AVESSE SUBITO DEI DANNI O SE NON DOVESSE FUNZIONARE, RIVOLGETEVI AL VOSTRO RIVENDITORE. SE L'APPARECCHIO VI È STATO SPEDITO DIRETTAMENTE, RIVOLGETEVI SUBITO ALLA DITTA DI TRASPORTO.
SOLO IL DESTINATARIO (LA PERSONA O DITTA RICEVENTE L'APPARECCHIO) PUÒ RECLAMARE PER QUESTO TIPO DI DANNI.

Vi ringraziamo per l'utilizzo del TERRA o ARIA POB-24V prodotti in versione RGBW, Bianco Dinamico o Monocromatica..

Questi dispositivi si distinguono per il grado di protezione IP68 (non per immersione) e per il corpo e la flangia in AISI 316.

Disponibili in varie combinazioni a 1 e 7 LEDs, monocromatici o RGBW. Possono essere utilizzati per illuminare colonne, pilastri, lungo i viali, su terrazze, nei passaggi, per evidenziare dettagli del paesaggio ed elementi architettureali.

TERRA TL7 POB 230V

TERRA TL7/316SS POB RGBW (art. 234111)

TERRA WTL7/316SS POB (art. 233010)

TERRA WTL7/316SS POB DALI (art. 232221)

TERRA WTL7/316SS POB PLUG-IN (art. 233000)

TERRA TL7 PSU ESTERNO 24V

TERRA TL7/316SS 24V RGBW (art. 234011)

TERRA WTL7/316SS 24V (art. 233040)

TERRA WTL7/316SS 24V DALI (art. 232222)

TERRA WTL7/316SS 24V PLUG-IN (art. 231000)

M-TERRA TL1 POB 230V

M-TERRA TL1/SS POB RGBW RDM (art. 232610)

M-TERRA WTL1/SS POB RDM (art. 232810)

M-TERRA WTL1/SS POB PLUG-IN (art. 232800)

M-TERRA TL1 PSU ESTERNO 24V

M-TERRA TL1/SS 24V RGBW RDM (art. 232210)

M-TERRA WTL1/SS 24V RDM (art. 232410)

M-TERRA WTL1/SS 24V PLUG-IN (art. 232400)

Per ottenere il meglio delle prestazioni ed un corretto funzionamento negli anni di questa unità, Vi consigliamo di leggere attentamente questo manuale prima di collegarla e metterla in uso. In questo modo acquisirete familiarità con i suoi comandi e collegamenti affinché possiate utilizzarla facilmente.

VOSTRA REFERENZA

Citate sempre il numero del modello e di serie ogni volta che Vi rivolgete al vostro rivenditore per informazioni o assistenza.

CONFEZIONE BASE

- Apparecchio
- Manuale d'uso
- Garanzia Studio Due
- Dichiarazione CE

TECHNICAL FEATURES / CARATTERISTICHE TECNICHE



230V POB (ON BOARD POWER SUPPLY)

TERRA TL7/316SS POB RGBW (it. 234111)

Inground LED fixture (230V) with 7 RGBW LEDs suitable for outdoor installation. On board power supply and DMX (POB). IP 68 not for immersion degree of protection. AISI 316 body and flange.



Technical Specification

LED type	RGBW multi-chip with white 4000K
Number of LEDs	7
LED expected lifetime (hrs)	50000
Lumen max (lm)	890
Red lumen (lm)	225
Green lumen (lm)	340
Blu lumen (lm)	130
White lumen (lm)	330
CRI	>80
Lenses	10° 10°x30° 15°x55° 25° 40° 60°
Filters (optional)	None Elliptical projection filter 60° x 1° (1° = native lens) horizontal Elliptical projection filter 1° x 60° (1° = native lens) vertical
Connectors and cables	1.5mt 3x0.75mm power cable, 1.5mt 2x0.35mm+shield DMX signal cable
Control type	DMX - RDM
Functions	Dedicated DMX channel for white balance from 2000K to 10000K DMX or Auto Mode with Master-Slave function Intelligent temperature control Continuous dimming 0-100% Smooth dimming function Halogen simulation CYM simulation Flicker-free function
Setup	RDM/DRS
DMX channels	9ch - 5ch - 4ch
Input range	100 - 277 VAC; 47/63 Hz
Power max (W)	13
Current	60mA@230VAC
Inrush current	40A@230V
IP protection rating	68 (not for immersion)
IK grade protection	09
Operating temperature	-30°C +45°C
Sizes l x p x h (mm)	190x80
Weight (Kgs)	2
Materials	Ultra clear 10mm tempered glass PMMA lenses All in stainless steel AISI316
Mounting systems	Inground
Colour finishing	AISI 316 brushed
Marine Grade treatment	Yes
Product Category	Inground
Plastic Case TER (art.900537)	No Yes

TECHNICAL FEATURES / CARATTERISTICHE TECNICHE



230V POB (ON BOARD POWER SUPPLY)

TERRA WTL7/316SS POB (it. 233010)

Inground LED fixture (100-305VAC) with 7 monochromatic LEDs suitable for outdoor installation. On board power supply and DMX (POB). IP 68 not for immersion degree of protection. AISI 316 body and flange.



Technical Specification

LED type	WHITE 2700K WHITE 3000K WHITE 4000K WHITE 6000K
Number of LEDs	7
LED expected lifetime (hrs)	50000
Lumen max (lm)	1000
CRI	>70 (on request >80, >90)
Lenses	5° 10° 10°x30° 15°x55° 25° 40° 60°
Filters (optional)	None Elliptical projection filter 60° x 1° (1° = native lens) horizontal Elliptical projection filter 1° x 60° (1° = native lens) vertical
Connectors and cables	1.5mt 3x0.75mm power cable, 1.5mt 2x0.35mm+shield DMX signal cable
Control type	DMX - RDM
Functions	Intelligent temperature control Continuous dimming 0-100% Smooth dimming function Halogen simulation Flicker-free function
Setup	RDM/DRS
DMX channels	3ch - 1ch
Input range	100 - 277 VAC; 47/63 Hz
Power max (W)	13
Current	60mA@230VAC
Inrush current	40A@230V
IP protection rating	68 (not for immersion)
IK grade protection	09
Operating temperature	-30°C +45°C
Sizes l x p x h (mm)	190x80
Weight (Kgs)	2
Materials	Ultra clear 10mm tempered glass PMMA lenses All in stainless steel AISI316
Mounting systems	Inground
Colour finishing	AISI 316 brushed
Marine Grade treatment	Yes
Product Category	Inground
Plastic Case TER (art.900537)	No Yes

TECHNICAL FEATURES / CARATTERISTICHE TECNICHE



230V POB (ON BOARD POWER SUPPLY)

TERRA WTL7/316SS POB DALI (it. 232221)

Inground LED fixture (230V) with 7 monochromatic LEDs suitable for outdoor installation. On board power supply and DMX (POB). IP 68 not for immersion degree of protection. AISI 316 body and flange.



Technical Specification

LED type	WHITE 2700K WHITE 3000K WHITE 4000K WHITE 6000K
Number of LEDs	7
LED expected lifetime (hrs)	50000
Lumen max (lm)	1000
CRI	>70 (on request >80, >90)
Lenses	5° 10° 10°x30° 15°x55° 25° 40° 60°
Filters (optional)	None Elliptical projection filter 60° x 1° (1° = native lens) horizontal Elliptical projection filter 1° x 60° (1° = native lens) vertical
Connectors and cables	1.5mt 3x0.75mm power cable, 1.5mt 2x0.35mm+shield DMX signal cable
Control type	DALI DT6
Setup	DALI
Input range	100 - 277 VAC; 47/63 Hz
Power max (W)	13
Current	60mA@230VAC
Inrush current	40A@230V
IP protection rating	68 (not for immersion)
IK grade protection	09
Operating temperature	-30°C +45°C
Sizes l x p x h (mm)	190x80
Weight (Kgs)	2
Materials	Ultra clear 10mm tempered glass PMMA lenses All in stainless steel AISI316
Mounting systems	Inground
Colour finishing	AISI 316 brushed
Marine Grade treatment	Yes
Product Category	Inground
Plastic Case TER (art.900537)	No Yes

TECHNICAL FEATURES / CARATTERISTICHE TECNICHE



230V POB (ON BOARD POWER SUPPLY)

TERRA WTL7/316SS POB PLUG-IN (it. 233000)

Inground LED fixture (230V) with 7 monochromatic LEDs suitable for outdoor installation. IP 68 not for immersion degree of protection. AISI 316 body and flange. Plug-in version. On board power supply.



Technical Specification

LED type	WHITE 2700K WHITE 3000K WHITE 4000K WHITE 6000K
Number of LEDs	7
LED expected lifetime (hrs)	50000
Lumen max (lm)	1000
CRI	>70 (on request >80, >90)
Lenses	5° 10° 10°x30° 15°x55° 25° 40° 60°
Filters (optional)	None Elliptical projection filter 60° x 1° (1° = native lens) horizontal Elliptical projection filter 1° x 60° (1° = native lens) vertical
Connectors and cables	1.5mt 3x0.75mm cable
Input range	100 - 277 VAC; 47/63 Hz
Power max (W)	13
Current	60mA@230VAC
Inrush current	40A@230V
IP protection rating	68 (not for immersion)
IK grade protection	09
Operating temperature	-30°C +45°C
Sizes l x p x h (mm)	190x80
Weight (Kgs)	2
Materials	Ultra clear 10mm tempered glass PMMA lenses All in stainless steel AISI316
Mounting systems	Inground
Colour finishing	AISI 316 brushed
Marine Grade treatment	Yes
Product Category	Inground
Plastic Case TER (art.900537)	No Yes

TECHNICAL FEATURES / CARATTERISTICHE TECNICHE



24V (EXTERNAL PSU)

TERRA TL7/316SS 24V RGBW (it. 234011)

Small wash LED spot with 7 RGBW full color LEDs with DMX on-board and external power supply. Remote configuration by DRS Setup device. IP 68 not for immersion protection rating. AISI 316 body and flange.



Technical Specification

LED type	RGBW multi-chip with white 4000K
Number of LEDs	7
LED expected lifetime (hrs)	50000
Lumen max (lm)	890
Red lumen (lm)	225
Green lumen (lm)	340
Blu lumen (lm)	130
White lumen (lm)	330
CRI	>80
Lenses	10° 10°x30° 15°x55° 25° 40° 60°
Filters (optional)	None Elliptical projection filter 60° x 1° (1° = native lens) horizontal Elliptical projection filter 1° x 60° (1° = native lens) vertical
Connectors and cables	1.5mt 3x0.75mm power cable, 1.5mt 2x0.35mm+shield DMX signal cable
Control type	DMX - RDM
Functions	Dedicated DMX channel for white balance from 2000K to 10000K DMX or Auto Mode with Master-Slave function Intelligent temperature control Continuous dimming 0-100% Smooth dimming function Halogen simulation CYM simulation Flicker-free function
Setup	RDM/DRS
DMX channels	9ch - 5ch - 4ch
Input range	24VDC
Power max (W)	13
Current	600mA@24VDC
IP protection rating	68 (not for immersion)
IK grade protection	09
Operating temperature	-30°C +45°C
Dimensions d x h (mm)	190x65
Weight (Kgs)	2
Materials	Ultra clear 10mm tempered glass PMMA lenses All in stainless steel AISI316
Mounting systems	Inground
Colour finishing	AISI 316 brushed
Marine Grade treatment	Yes
Product Category	Inground
Plastic Case TER (art.900537)	No Yes

TECHNICAL FEATURES / CARATTERISTICHE TECNICHE



24V (EXTERNAL PSU)

TERRA WTL7/316SS 24V (it. 233040)

Inground LED fixture (24V) with 7 monochromatic LEDs with on-board DMX and external power supply, suitable for outdoor installation. IP 68 not for immersion degree of protection. AISI 316 body and flange.



Technical Specification

LED type	WHITE 2700K WHITE 3000K WHITE 4000K WHITE 6000K
Number of LEDs	7
LED expected lifetime (hrs)	50000
Lumen max (lm)	1000
CRI	>70 (on request >80, >90)
Lenses	5° 10° 10°x30° 15°x55° 25° 40° 60°
Filters (optional)	None Elliptical projection filter 60° x 1° (1° = native lens) horizontal Elliptical projection filter 1° x 60° (1° = native lens) vertical
Connectors and cables	1.5mt 3x0.75mm power cable, 1.5mt 2x0.35mm+shield DMX signal cable
Control type	DMX - RDM
Functions	Intelligent temperature control Continuous dimming 0-100% Smooth dimming function Halogen simulation Flicker-free function
Setup	RDM/DRS
DMX channels	3ch - 1ch
Input range	24VDC
Power max (W)	13
Current	600mA@24VDC
IP protection rating	68 (not for immersion)
IK grade protection	09
Operating temperature	-30°C +45°C
Sizes l x p x h (mm)	190x80
Weight (Kgs)	2
Materials	Ultra clear 10mm tempered glass PMMA lenses All in stainless steel AISI316
Mounting systems	Inground
Colour finishing	AISI 316 brushed
Marine Grade treatment	Yes
Product Category	Inground
Plastic Case TER (art.900537)	No Yes

TECHNICAL FEATURES / CARATTERISTICHE TECNICHE



24V (EXTERNAL PSU)

TERRA WTL7/316SS 24V DALI (it. 232222)

Inground LED fixture (24V) with 7 monochromatic LEDs with on-board DMX and external power supply, suitable for outdoor installation. IP 68 not for immersion degree of protection. AISI 316 body and flange.



Technical Specification

LED type	WHITE 2700K WHITE 3000K WHITE 4000K WHITE 6000K
Number of LEDs	7
LED expected lifetime (hrs)	50000
Lumen max (lm)	1000
CRI	>70 (on request >80, >90)
Lenses	5° 10° 10°x30° 15°x55° 25° 40° 60°
Filters (optional)	None Elliptical projection filter 60° x 1° (1° = native lens) horizontal Elliptical projection filter 1° x 60° (1° = native lens) vertical
Connectors and cables	1.5mt 3x0.75mm power cable, 1.5mt 2x0.35mm+shield DMX signal cable
Control type	DALI DT6
Setup	DALI
Input range	24VDC
Power max (W)	13
Current	600mA@24VDC
IP protection rating	68 (not for immersion)
IK grade protection	09
Operating temperature	-30°C +45°C
Sizes l x p x h (mm)	190x80
Weight (Kgs)	2
Materials	Ultra clear 10mm tempered glass PMMA lenses All in stainless steel AISI316
Mounting systems	Inground
Colour finishing	AISI 316 brushed
Marine Grade treatment	Yes
Product Category	Inground
Plastic Case TER (art.900537)	No Yes

TECHNICAL FEATURES / CARATTERISTICHE TECNICHE



24V (EXTERNAL PSU)

TERRA WTL7/316SS 24V PLUG-IN (it. 231000)

Inground LED fixture (24V) with 7 monochromatic LEDs suitable for outdoor installation. IP 68 not for immersion degree of protection. AISI 316 body and flange. Plug-in version. External power supply.



Technical Specification

LED type	WHITE 2700K WHITE 3000K WHITE 4000K WHITE 6000K
Number of LEDs	7
LED expected lifetime (hrs)	50000
Lumen max (lm)	1000
CRI	>70 (on request >80, >90)
Lenses	5° 10° 10°x30° 15°x55° 25° 40° 60°
Filters (optional)	None Elliptical projection filter 60° x 1° (1° = native lens) horizontal Elliptical projection filter 1° x 60° (1° = native lens) vertical
Connectors and cables	Power cable 3x0.75mm 1,5mt
Input range	24VDC (8VDC-30VDC)
Power max (W)	13
Current	600mA@24VDC
IP protection rating	68 (not for immersion)
IK grade protection	09
Operating temperature	-30°C +45°C
Sizes l x p x h (mm)	190x80
Weight (Kgs)	1.5
Materials	Ultra clear 10mm tempered glass PMMA lenses All in stainless steel AISI316
Mounting systems	Inground
Colour finishing	AISI 316 brushed
Marine Grade treatment	Yes
Product Category	Inground
Plastic Case TER (art.900537)	No Yes



230V POB (ON BOARD POWER SUPPLY)

M-TERRA TL1/SS POB RGBW RDM (it. 232610)

Small inground fixture with 1 RGBW LED made entirely of AISI 316 steel with IP68 protection rating not for immersion with on board power supply and DMX (POB). Suitable for outdoor installation.



Technical Specification

LED type	RGBW 20W FLAT
Number of LEDs	1
LED expected lifetime (hrs)	50000
Lumen max (lm)	320
Red lumen (lm)	56
Green lumen (lm)	112
Blu lumen (lm)	22
White lumen (lm)	160
CRI	>80
Lenses	40° 60°
Filters (optional)	None Elliptical projection filter 60° x 1° (1° = native lens) horizontal Elliptical projection filter 1° x 60° (1° = native lens) vertical
Connectors and cables	1.5mt 3x0.75mm power cable, 1.5mt 2x0.35mm+shield DMX signal cable
Control type	DMX - RDM
Functions	Dedicated DMX channel for white balance from 2000K to 10000K DMX or Auto Mode with Master-Slave function Intelligent temperature control Continuous dimming 0-100% Smooth dimming function Halogen simulation CYM simulation Flicker-free function
Setup	RDM/DRS
DMX channels	9ch - 5ch - 4ch
Input range	100 - 277 VAC; 47/63 Hz
Power max (W)	6
Current	30mA@230VAC
Inrush current	40A@230V
IP protection rating	68 (not for immersion)
IK grade protection	09
Operating temperature	-30°C +45°C
Sizes l x p x h (mm)	140x140x90
Weight (Kgs)	1.5
Materials	Ultra clear 10mm tempered glass PMMA lenses All in stainless steel AISI316
Mounting systems	Inground
Colour finishing	AISI 316 brushed
Marine Grade treatment	Yes
Product Category	Inground
Plastic Case TL-1 (art.900547)	No Yes

TECHNICAL FEATURES / CARATTERISTICHE TECNICHE



warm neutral cool

230V POB (ON BOARD POWER SUPPLY)

M-TERRA WTL1/SS POB RDM (it. 232810)

Small inground fixture with 1 Monochromatic LED made entirely of AISI 316 steel with IP68 protection rating not for immersion with on board power supply and DMX (POB). Suitable for outdoor installation.



Technical Specification

LED type	WHITE 2700K WHITE 3000K WHITE 4000K WHITE 6000K
Number of LEDs	1
LED expected lifetime (hrs)	50000
Lumen max (lm)	500
CRI	>70 (on request >80, >90)
Lenses	10° 15° 25° 40° 60°
Filters (optional)	None Elliptical projection filter 60° x 1° (1° = native lens) horizontal Elliptical projection filter 1° x 60° (1° = native lens) vertical
Connectors and cables	1.5mt 3x0.75mm power cable, 1.5mt 2x0.35mm+shield DMX signal cable
Control type	DMX - RDM
Functions	Intelligent temperature control Continuous dimming 0-100% Smooth dimming function Halogen simulation Flicker-free function
Setup	RDM/DRS
DMX channels	3ch - 1ch
Input range	100 - 277 VAC; 47/63 Hz
Power max (W)	5
Current	25mA@230VAC
Inrush current	40A@230V
IP protection rating	68 (not for immersion)
IK grade protection	09
Operating temperature	-30°C +45°C
Sizes l x p x h (mm)	140x140x90
Weight (Kgs)	1.5
Materials	Ultra clear 10mm tempered glass PMMA lenses All in stainless steel AISI316
Mounting systems	Inground
Colour finishing	AISI 316 brushed
Marine Grade treatment	Yes
Product Category	Inground
Plastic Case TL-1 (art.900547)	No Yes

TECHNICAL FEATURES / CARATTERISTICHE TECNICHE



230V POB (ON BOARD POWER SUPPLY)

M-TERRA WTL1/SS POB PLUG-IN (it. 232800)

Small inground fixture with 1 Monochromatic LED made entirely of AISI 316 steel with IP68 protection rating not for immersion with on board power supply (POB). Plug-in version. Suitable for outdoor installation.



Technical Specification

LED type	WHITE 2700K WHITE 3000K WHITE 4000K WHITE 6000K
Number of LEDs	1
LED expected lifetime (hrs)	50000
Lumen max (lm)	500
CRI	>70 (on request >80, >90)
Lenses	10° 15° 25° 40° 60°
Filters (optional)	None Elliptical projection filter 60° x 1° (1° = native lens) horizontal Elliptical projection filter 1° x 60° (1° = native lens) vertical
Connectors and cables	1.5mt 3x0.75mm cable
Input range	100 - 277 VAC; 47/63 Hz
Power max (W)	5
Current	25mA@230VAC
Inrush current	40A@230V
IP protection rating	68 (not for immersion)
IK grade protection	09
Operating temperature	-30°C +45°C
Sizes l x p x h (mm)	140x140x90
Weight (Kgs)	1,5
Materials	Ultra clear 10mm tempered glass PMMA lenses All in stainless steel AISI316
Mounting systems	Inground
Colour finishing	AISI 316 brushed
Marine Grade treatment	Yes
Product Category	Inground
Plastic Case TL-1 (art.900547)	No Yes



24V (EXTERNAL PSU)

M-TERRA TL1/SS 24V RGBW RDM (it. 232210)

Small inground fixture (24V) with 1 RGBW LED made entirely of AISI 316 steel with on-board DMX. IP68 protection rating not for immersion. Suitable for outdoor installation.



Technical Specification

LED type	RGBW 20W FLAT
Number of LEDs	1
LED expected lifetime (hrs)	50000
Lumen max (lm)	320
Red lumen (lm)	56
Green lumen (lm)	112
Blu lumen (lm)	22
White lumen (lm)	160
CRI	>80
Lenses	40° 60°
Filters	None f 100°
Connectors and cables	1.5mt 3x0.75mm power cable, 1.5mt 2x0.35mm+shield DMX signal cable
Control type	DMX - RDM
Functions	Dedicated DMX channel for white balance from 2000K to 10000K DMX or Auto Mode with Master-Slave function Intelligent temperature control Continuous dimming 0-100% Smooth dimming function Halogen simulation CYM simulation Flicker-free function
Setup	RDM/DRS
DMX channels	9ch - 5ch - 4ch
Input range	24VDC (8VDC-30VDC)
Power max (W)	5
Current	220mA@24VDC
IP protection rating	68 (not for immersion)
IK grade protection	09
Operating temperature	-30°C +45°C
Sizes l x p x h (mm)	140x140x90
Weight (Kgs)	1,5
Materials	Ultra clear 10mm tempered glass PMMA lenses All in stainless steel AISI316
Mounting systems	Inground
Colour finishing	AISI 316 brushed
Marine Grade treatment	Yes
Product Category	Inground
Plastic Case TL-1 (art.900547)	No Yes

TECHNICAL FEATURES / CARATTERISTICHE TECNICHE



24V (EXTERNAL PSU)

M-TERRA WTL1/SS 24V RDM (it. 232410)

Small inground fixture (24V) with 1 Monochromatic LED made entirely of AISI 316 steel with on-board DMX. IP68 protection rating not for immersion. Suitable for outdoor installation.



Technical Specification

LED type	WHITE 2700K WHITE 3000K WHITE 4000K WHITE 6000K
Number of LEDs	1
LED expected lifetime (hrs)	50000
Lumen max (lm)	500
CRI	>70 (on request >80, >90)
Lenses	10° 15° 25° 40° 60°
Filters (optional)	None Elliptical projection filter 60° x 1° (1° = native lens) horizontal Elliptical projection filter 1° x 60° (1° = native lens) vertical
Connectors and cables	1.5mt 3x0.75mm power cable, 1.5mt 2x0.35mm+shield DMX signal cable
Control type	DMX - RDM
Functions	Intelligent temperature control Continuous dimming 0-100% Smooth dimming function Halogen simulation Flicker-free function
Setup	RDM/DRS
DMX channels	3ch - 1ch
Input range	24VDC (15VDC-50VDC)
Power max (W)	5
Current	220mA@24VDC
IP protection rating	68 (not for immersion)
IK grade protection	09
Operating temperature	-30°C +45°C
Sizes l x p x h (mm)	140x140x90
Weight (Kgs)	1,5
Materials	Ultra clear 10mm tempered glass PMMA lenses All in stainless steel AISI316
Mounting systems	Inground
Colour finishing	AISI 316 brushed
Marine Grade treatment	Yes
Product Category	Inground
Plastic Case TL-1 (art.900547)	No Yes

TECHNICAL FEATURES / CARATTERISTICHE TECNICHE



24V (EXTERNAL PSU)

M-TERRA WTL1/SS 24V PLUG-IN (it. 232400)

Small inground fixture (24V) with 1 Monochromatic LED made entirely of AISI 316 steel with IP68 protection rating not for immersion. Plug-in version. Suitable for outdoor installation.



Technical Specification

LED type	WHITE 2700K WHITE 3000K WHITE 4000K WHITE 6000K
Number of LEDs	1
LED expected lifetime (hrs)	50000
Lumen max (lm)	500
CRI	>70 (on request >80, >90)
Lenses	10° 15° 25° 40° 60°
Filters (optional)	None Elliptical projection filter 60° x 1° (1° = native lens) horizontal Elliptical projection filter 1° x 60° (1° = native lens) vertical
Connectors and cables	1.5mt 3x0.75mm cable
Input range	24VDC (15VDC-50VDC)
Power max (W)	5
Current	220mA@24VDC
IP protection rating	68 (not for immersion)
IK grade protection	09
Operating temperature	-30°C +45°C
Sizes l x p x h (mm)	140x140x90
Weight (Kgs)	1,5
Materials	Ultra clear 10mm tempered glass PMMA lenses All in stainless steel AISI316
Mounting systems	Inground
Colour finishing	AISI 316 brushed
Marine Grade treatment	Yes
Product Category	Inground
Plastic Case TL-1 (art.900547)	No Yes

EXAMPLE OF FIXTURE CONNECTION / ESEMPIO DI CONNESSIONE APPARECCHIO

This equipment must be earthed.

Class I equipment. The power supply cord includes a protective earthing conductor as part of the cord.

IMPORTANT: to ensure the protection rating of the fixture, in case of replacement of the conductor cable, refer to the CONDUCTOR SIZE TABLE

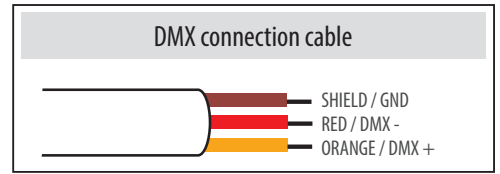
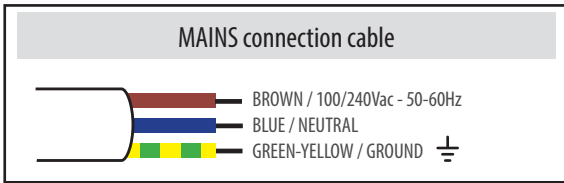
Questo apparecchio necessita di messa a terra.

Apparecchio di Classe I. Il conduttore di protezione deve far parte del cavo di alimentazione.

IMPORTANTE: per garantire il grado di protezione dell'apparecchio, in caso di sostituzione del cavo di alimentazione, fare riferimento alla TABELLA SEZIONE CONDUTTORE.

ATTENTION - HIGH VOLTAGE!
ALWAYS DISCONNECT THE MAINS SUPPLY BEFORE ACCESS TO THE CONNECTION AREA.

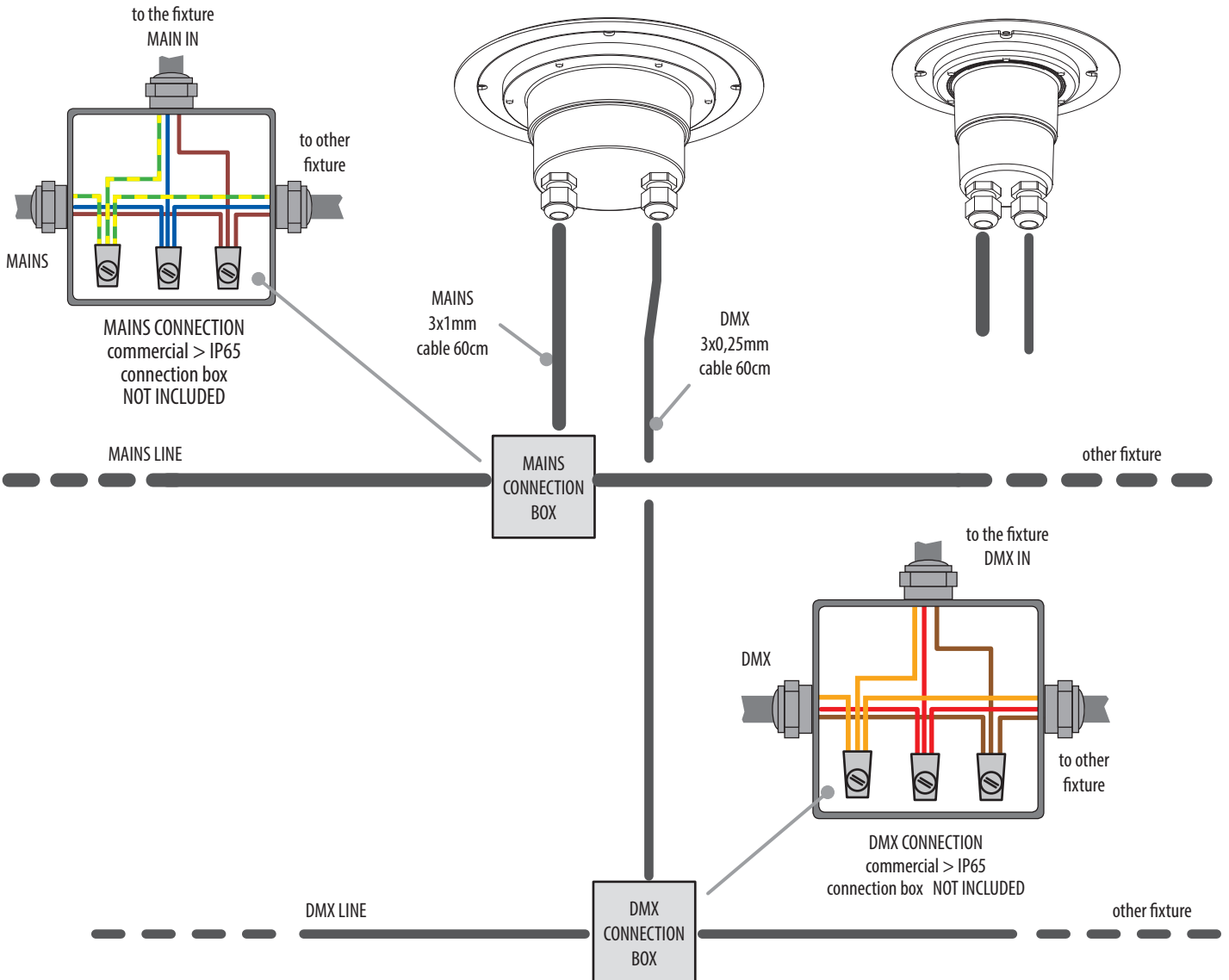
ATTENZIONE - ALTA TENSIONE!
SCOLLEGARE SEMPRE L'ALIMENTAZIONE PRIMA DI APRIRE IL VANO DEI COLLEGAMENTI.



(230V) FIXTURES

TERRA TL7 / 316SS POB

M-TERRA TL1 / 316SS POB



EXAMPLE OF FIXTURE CONNECTION / ESEMPIO DI CONNESSIONE APPARECCHIO

DMX TERMINAL LINE

The wrong connection of the terminal line or its non-connection are probably the most frequent reasons of the lower DMX signal. The terminator is a terminal resistor fitted at the end of the cable (see pict. 1).

The terminal resistor should have the same value as the impedance of the connection cable (120 Ohm).

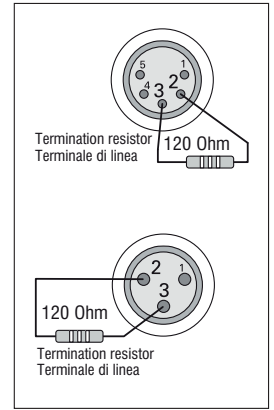
It is recommended that all DMX 512 systems have the terminal resistor fitted in the end of DMX line.

TERMINALE LINEA DMX

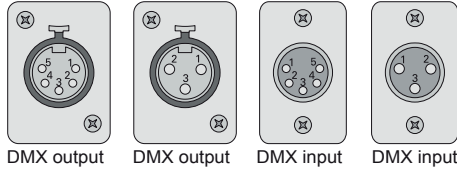
L'incorretto o il mancato collegamento del terminale di linea è probabilmente la più comune causa del difettoso funzionamento della linea DMX. Il terminale di linea DMX consiste in una resistenza posta alla fine della linea (vedere fig. 1).

La resistenza terminale dovrebbe avere lo stesso valore dell'impedenza del cavo di collegamento (120 Ohm).

E' raccomandato per tutti i sistemi DMX 512, di inserire il terminale di linea nel connettore di uscita DMX dell'ultimo apparecchio collegato.



pict. 1

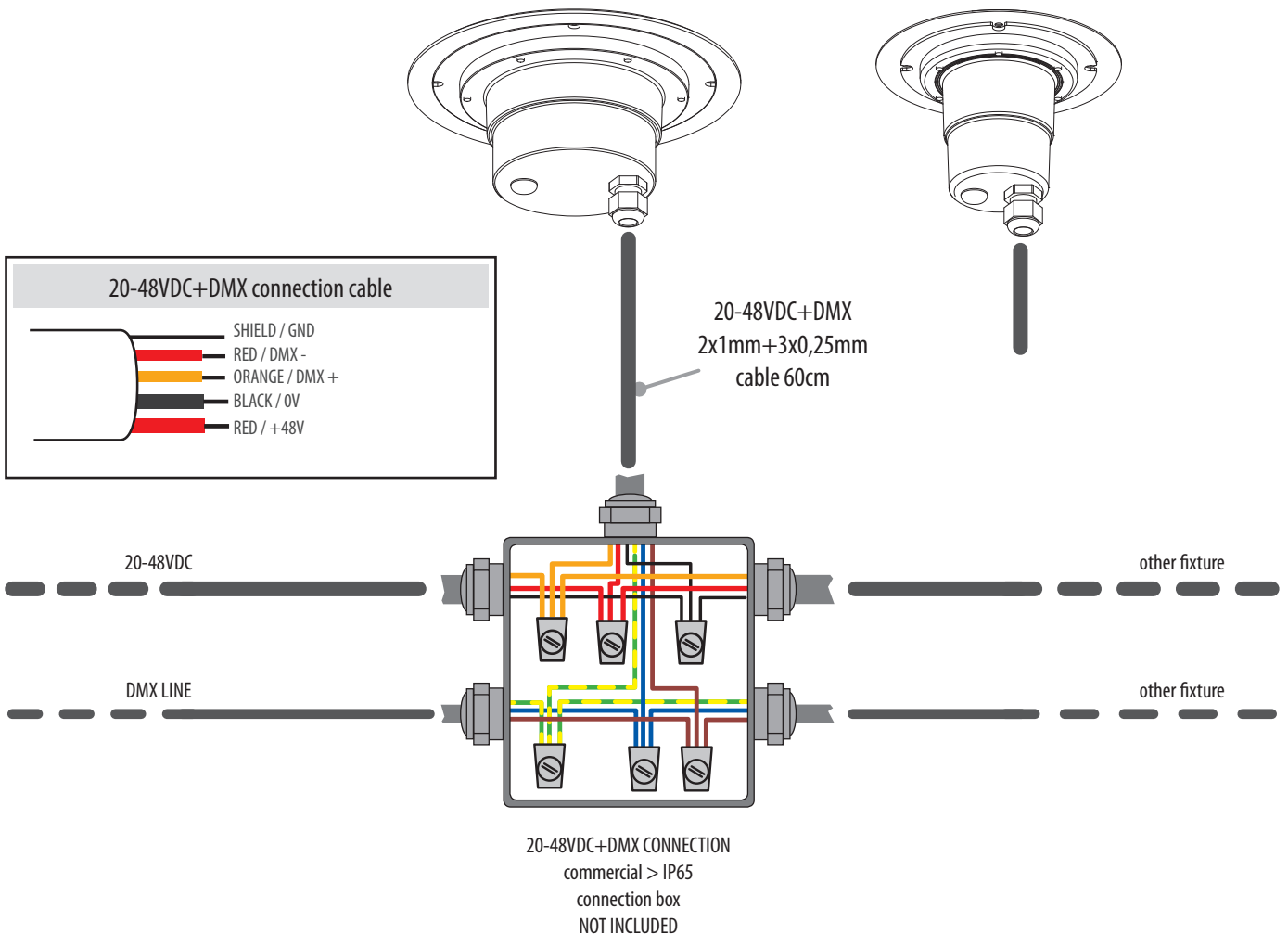


PIN		
1	SHIELD	GROUND/RETURN/OV
2	INNER CONDUCTOR	DATA COMPLEMENT (-, INVERTED)
3	INNER CONDUCTOR	DATA TRUE (+, NON INVERTED)

(24V) FIXTURES (Low Voltage)

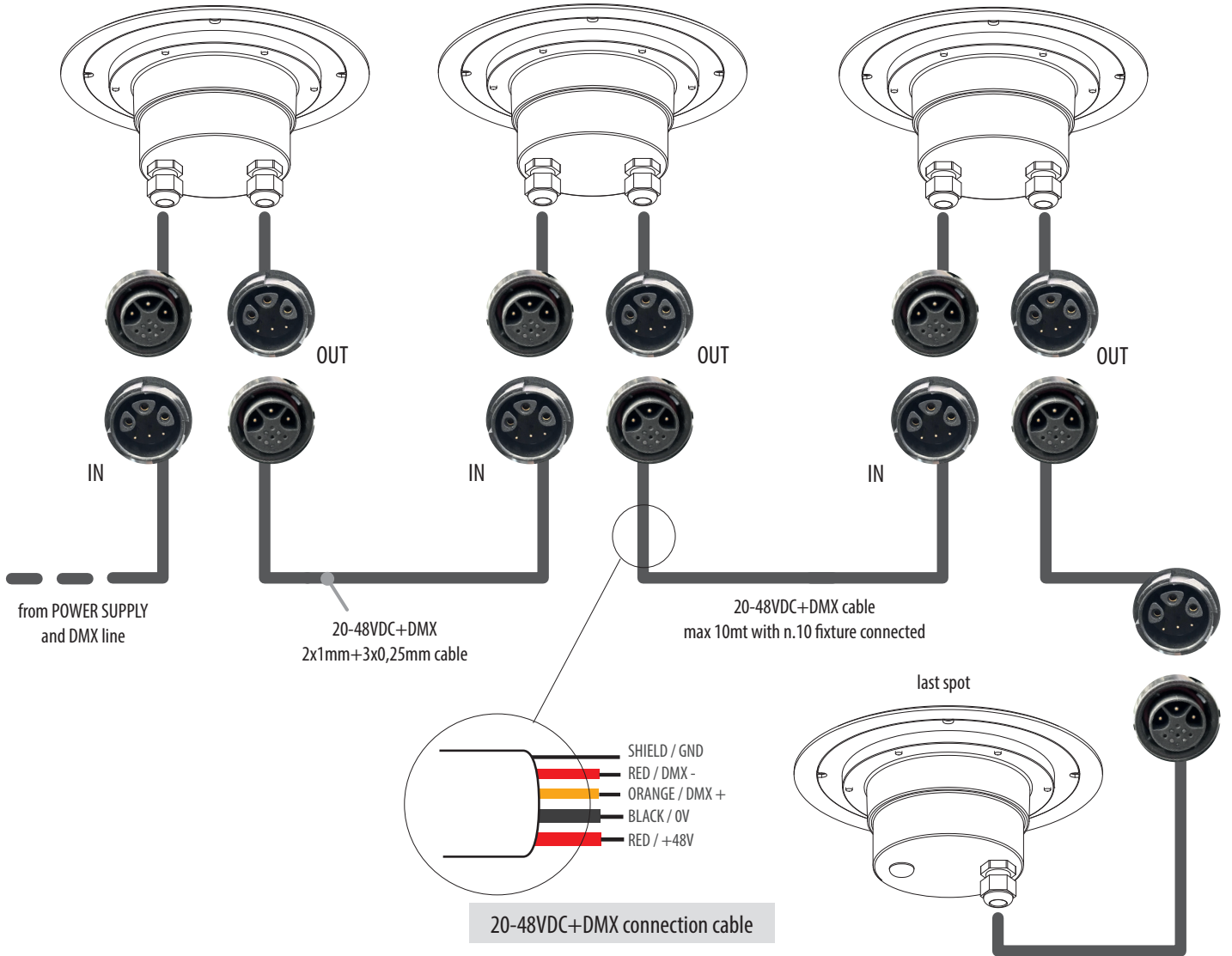
TERRA TL7 / 316SS 24V FIXTURE

TERRA TL1 / 316SS 24V FIXTURE

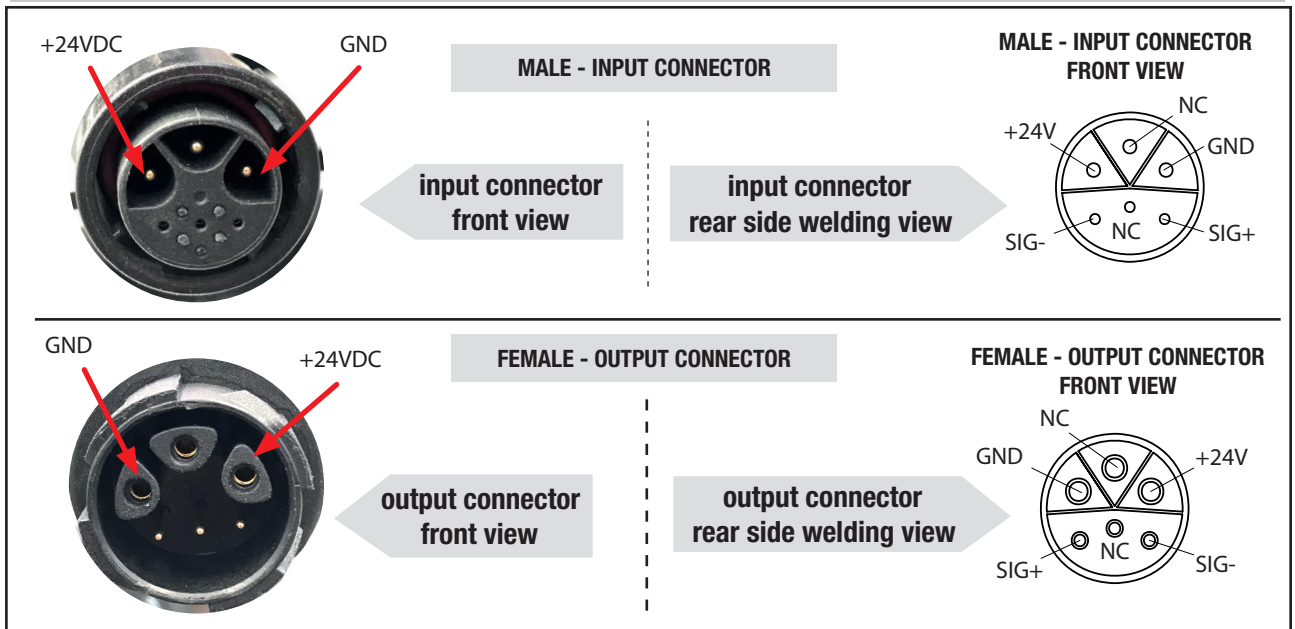


EXAMPLE OF OPTIONAL FIXTURE CONNECTION / ESEMPIO DI CONNESSIONE OPZIONALE APPARECCHIO

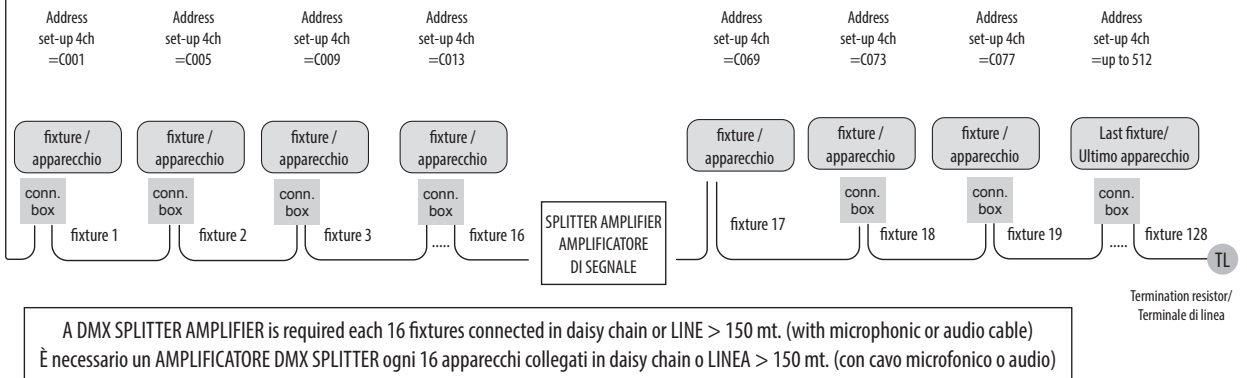
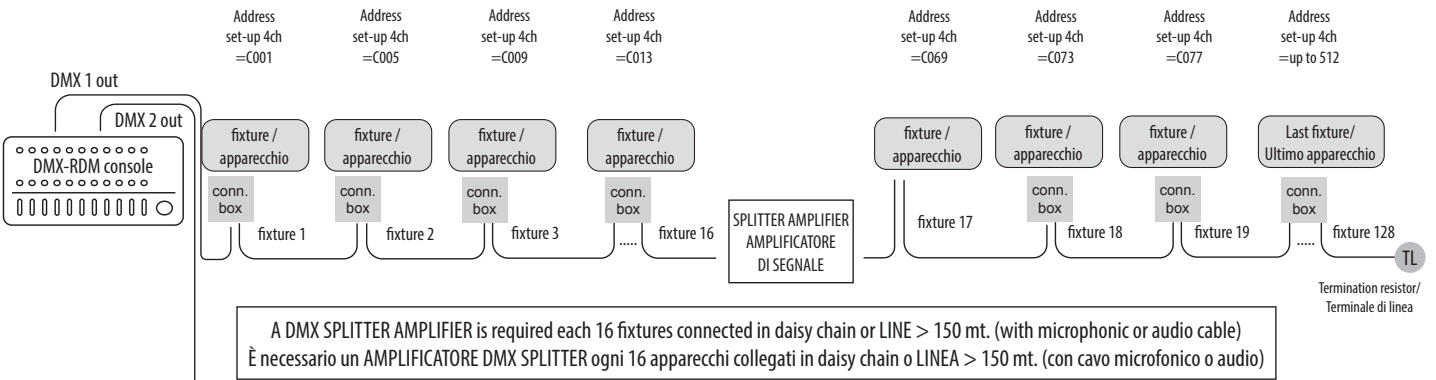
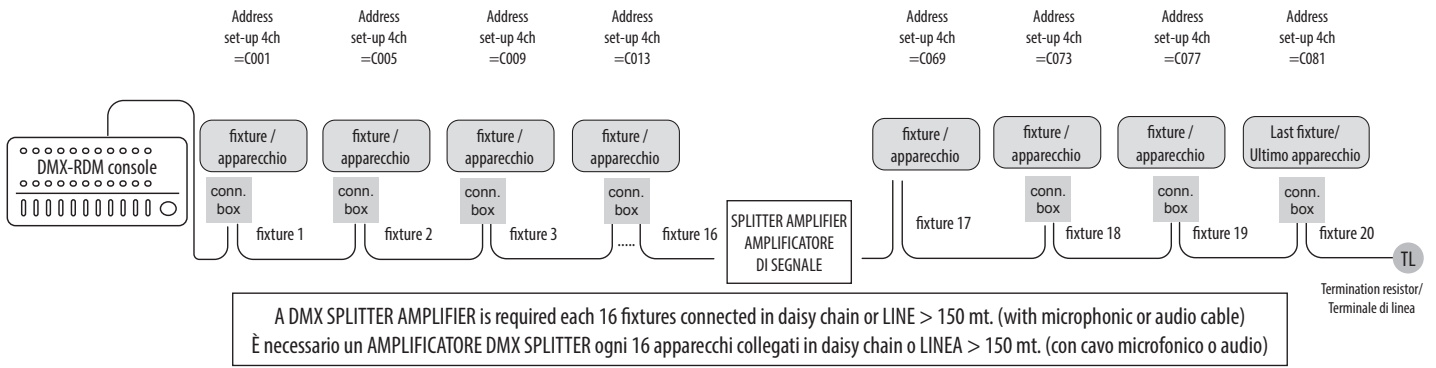
**OPTIONAL TERRA TL7 and M-TERRA TL1 24V FIXTURES (Low voltage)
with CONNECTORS or BARE ENDS**



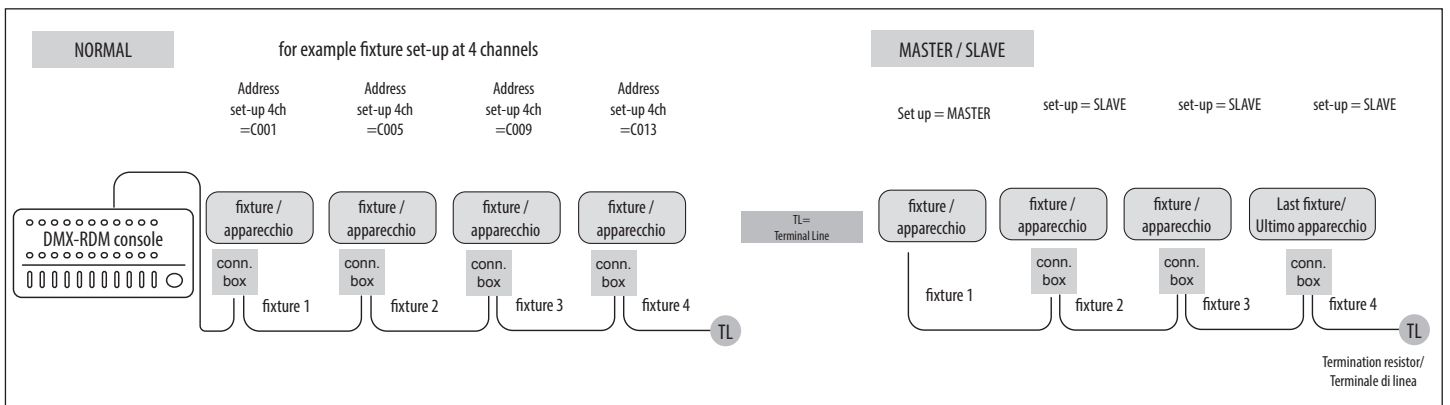
OPTIONAL IN/OUT IP67 connectors - Connettori OPTIONAL IP67 IN/OUT



EXAMPLE OF CONNECTION DMX CONTROLLER - FIXTURES / ESEMPIO DI COLLEGAMENTO CENTRALINA - FARI



NORMAL AND MASTER/SLAVE FUNCTIONS / FUNZIONI NORMAL E MASTER/SLAVE



SETUP AND CONFIGURATION BY DRS - DMX REMOTE SETUP

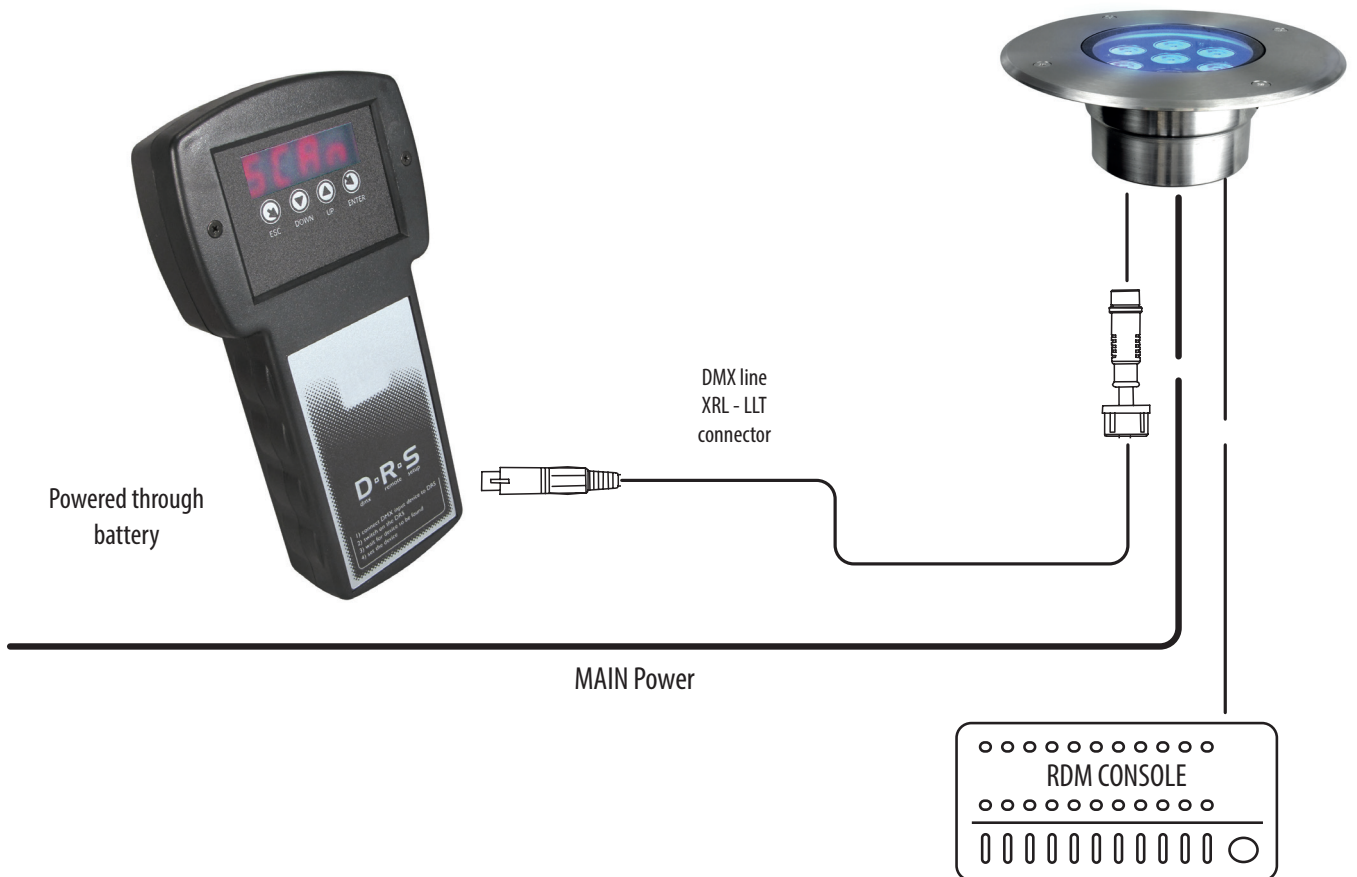
The DRS it's a new concept of professional LED Lighting fixtures suitable for outdoor permanent installations. The LED Lighting fixtures can be driven via DMX through a specific electronic device, the DRS DMX Remote Setup, that grant the possibility to set up the scenarios and the games remotely. These LED Lighting fixtures have installed on board a series of programs including the stand alone function.

The DRS is a simple set up commander that linked with the DMX input of a LED Lighting fixture allow to program all the functions of the luminaire. It's than possible to assign the DMX channel or use the Master/Slave function. The device is powered through battery.

SETTAGGIO E CONFIGURAZIONE TRAMITE DRS - DMX REMOTE SETUP

DRS è il nuovo concetto dell'illuminazione LED per uso professionale nelle installazioni esterne permanenti. Gli apparecchi LED possono essere controllati e configurati tramite uno specifico controller: il DRS, DMX Remote Setup, il quale consente di programmare e configurare scene e giochi di luce in modalità remota. Questi apparecchi LED hanno installati a bordo una serie di giochi che includono la funzione stand alone.

Il DRS, DMX Remote Setup, è un semplice set-up commander che collegato via DMX ad un'apparecchio consente la sua programmazione e configurazione. E' possibile assegnare agli apparecchi collegati i canali DMX o utilizzare la funzione Master/Slave. Il DRS è alimentato a batterie.



SETUP AND CONFIGURATION BY DRS - DMX REMOTE SETUP


dimmable version only / solo versione dimmerabile

To make the set-up of the various fixture parameter, proceed as follow:

- Disconnect the fixture to set-up from the other DMX/RDM devices


- Connect the DMX cable of the fixture to the DRS commander


-  Switch on the DRS commander and wait for the 8888 sign


-  If the DRS commander detects a compatible DRS device, displays shortly the Conn written and afterwards, displays the name of the fixture and its software version.

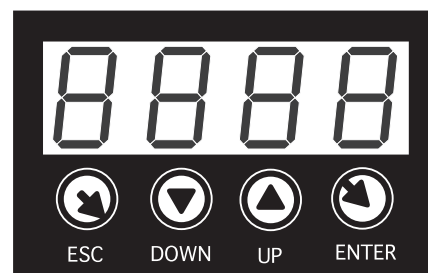
-  If the DRS commander don't detects any compatible DRS device or is present any malfunction, the display shows the SCAN written

-  When the detection sequence is finished, the display shows the first menu

-  The UP/DOWN buttons allow to scroll forward/backward the menu list

-  The ENTER button allow to confirm the selected option (if the parameter is flashing)

-  The ESC button allow to delete the operation and return to a previous menu level





SETTAGGIO E CONFIGURAZIONE TRAMITE DRS - DMX REMOTE SETUP

Per effettuare la programmazione dei vari parametri di un apparecchio, è necessario procedere come segue:

- Disconnettere l'apparecchio da configurare da altri dispositivi DMX/RDM

- Collegare il cavo DMX dell'apparecchio da configurare, al programmatore DRS


-  Accendere il programmatore DRS ed attendere che visualizzi la scritta 8888


-  Se il programmatore DRS individua un dispositivo DRS compatibile, visualizza per qualche istante la scritta Conn e, successivamente, visualizza il nome dell'apparecchio e la relativa versione software

-  Se il programmatore DRS non individua alcun dispositivo DRS compatibile o è presente qualche malfunzionamento il display visualizzerà la scritta SCAN

-  Una volta terminata la sequenza di riconoscimento, viene visualizzato il primo menu dell'apparecchio

-  I pulsanti UP/DOWN permettono di scorrere la lista dei menu

-  Il pulsante ENTER permettere di entrare in un menu o di confermare una opzione in caso di lampeggio del parametro

-  Il pulsante ESC annulla una operazione o torna al livello di menu inferiore.

DRS MENU' LIST / ELENCO MENU DRS

Switching on the fixture you can see the model and the software version. For example:
All'accensione, viene visualizzato il modello di apparecchio e la versione software. Per esempio:

--> TerP --> 1-00 - than it's shown the fist menu / poi viene visualizzato il primo menu

Address (Addr)



Set the DMX channel address / Imposta il canale DMX
> Select the channel number .. c001 .. c002 .. with the UP/DOWN buttons. Press ENTER.
> Selezionate il canale desiderato .. c001 .. c002 .. con i tasti UP/DOWN. Premere ENTER.

Auto Mode (ModE)



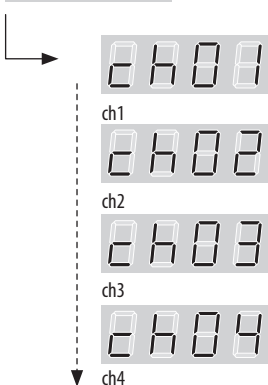
Set the DMX, SLAVE or MASTER mode / Imposta la modalità DMX, SLAVE o MASTER
> Select the value no .. sl .. pr01 .. pr02 .. with the UP/DOWN buttons. Press ENTER.
> Selezionate il valore desiderato no .. sl .. pr01 .. pr02 .. con i tasti UP/DOWN. Premere ENTER.

Auto Speed (PrSP)



Set the preset execution speed / Imposta la velocità di esecuzione dei giochi interni
> Select the value +400% .. -400% with the UP/DOWN buttons. Press ENTER.
> Selezionate il valore desiderato +400% .. -400% con i tasti UP/DOWN. Premere ENTER.

Scene (Scne)



If ON: For each color or menu it is possible to varying and than set-up the value from 0 to 255 without having to confirm with the ENTER key.
These functions are auto-save.

Se ON: Per ogni singolo colore o menu, è possibile variare e quindi impostare il valore da 0 a 255 senza dover confermare con il tasto ENTER.
Queste funzioni si salvano automaticamente.

N. Channels (nChn)



Set the DMX channels of the fixture / Imposta il numero di canali DMX dell'apparecchio. (9, 5, 4)
> Select the value, e.g. .. 9.. 5 etc. with the UP/DOWN buttons. Press ENTER.
> Selezionate il valore desiderato, per esempio .. 9 .. 5 etc. con i tasti UP/DOWN. Premere ENTER.

Flicker free function (FLcr)



Flicker free function / Funzione flicker free. (F1, F2)
> Select the value f1 .. f2
> Selezionate il valore desiderato f1 .. f2

Smooth Dimming (SMth)



Set the interpolation type for the smooth dimming function
Imposta il tipo di interpolazione per la funzione smooth dimming. (OFF, Sd1, Sd2, Sd3)
> Select the value off .. LoW .. Mid .. hIGH with the UP/DOWN buttons. Press ENTER.
> Selezionate il valore desiderato off .. LoW .. Mid .. hIGH con i tasti UP/DOWN. Premere ENTER.

Halogen Simulation (HALS)



Set the halogen simulation function mode
Imposta il funzionamento della modalità simulazione lampada alogena. (OFF, Mod1, Mod2)
> Select the value off .. Mid1 .. Mid2 with the UP/DOWN buttons. Press ENTER.
> Selezionate il valore desiderato off .. Mid1 .. Mid2 con i tasti UP/DOWN. Premere ENTER.

CYM Emulation (CYMS)



Set the fixture to work in CYM or RGB emulation system
Imposta l'apparecchio per funzionare come emulatore di sistema CYM o RGB. (CYM, RGB)
> Select the value off >> RGB or on >> CYM with the UP/DOWN buttons. Press ENTER.
> Selezionate il valore desiderato off >> RGB oppure on >> CYM con i tasti UP/DOWN. Premere ENTER.

Test (tESt)



Enables the test of the fixture and execute a factory program to check the right functioning/
Abilita il test dell'apparecchio ed esegue un programma di fabbrica per verificarne il funzionamento. (T-ON)
> Select the value t-on with the UP/DOWN buttons. T-on is flashing: test in progress. Press any key to exit.
> Selezionate il valore t-on con i tasti UP/DOWN. T-on lampeggia: test in corso. Premere qualsiasi tasto per uscire.

Reset (rSEt)



Execute a reset of the electronic section / Esegue un reset della parte elettronica. (rS?)

Format (FrMt)



Restore the factory setting (Require confirmation).
Ripristina le impostazioni di fabbrica (Viene chiesta conferma). (Fm?)

DMX CHANNEL LIST / LISTA DEI CANALI DMX

8 BIT	FUNCTION	0 31 63 95 127 159 191 233 255
CH1	RED	
CH2	GREEN	
CH3	BLUE	
CH4	WHITE	
CH5	STROBE	 OPEN 0-1 FLASH 0,4Hz / 25Hz 2-127 RAINBOW - FLASH 0,4Hz / 25Hz 128-255
CH6	DIMMER	
CH7	LED FADE TIME	 FAST - 0,1 sec. 0 = CUT LINEAR SLOW 25,5 sec.
CH8	RAINBOW	
CH9	BALANCED WHITE	 (0-15) NORMAL WW 16-255 CW

DMX CHANNEL LIST / LISTA DEI CANALI DMX

8 BIT	FUNCTION	0 31 63 95 127 159 191 233 255
CH1	RED	
CH2	GREEN	
CH3	BLUE	
CH4	WHITE	
CH5	DIMMER	

8 BIT	FUNCTION	0 31 63 95 127 159 191 233 255
CH1	RED	
CH2	GREEN	
CH3	BLUE	
CH4	WHITE	

ENG / ITA

DMX CHANNELS MONOCHROMATIC / CANALI DMX MONOCROMATICO

- (*) DMX line for Dimmable version. (setting 3ch or 1ch)

- (*) linea DMX versione Dimmerabile. (settaggio 3ch o 1ch)

**DMX
512**

8 BIT	FUNCTION	0 31 63 95 127 159 191 233 255
CH1	DIMMER	
CH2	STROBE	
CH3	LED FADE TIME	

**DMX
512**

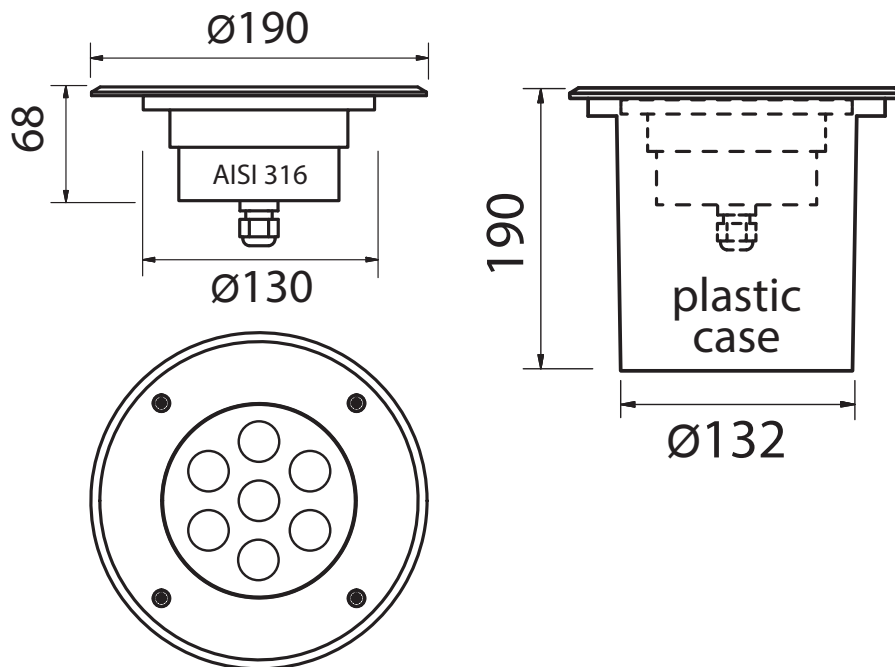
8 BIT	FUNCTION	0 31 63 95 127 159 191 233 255
CH1	DIMMER	

OPTIONAL CONNECTION TO DALI / CONNESSIONE OPZIONALE ALLA LINEA DALI

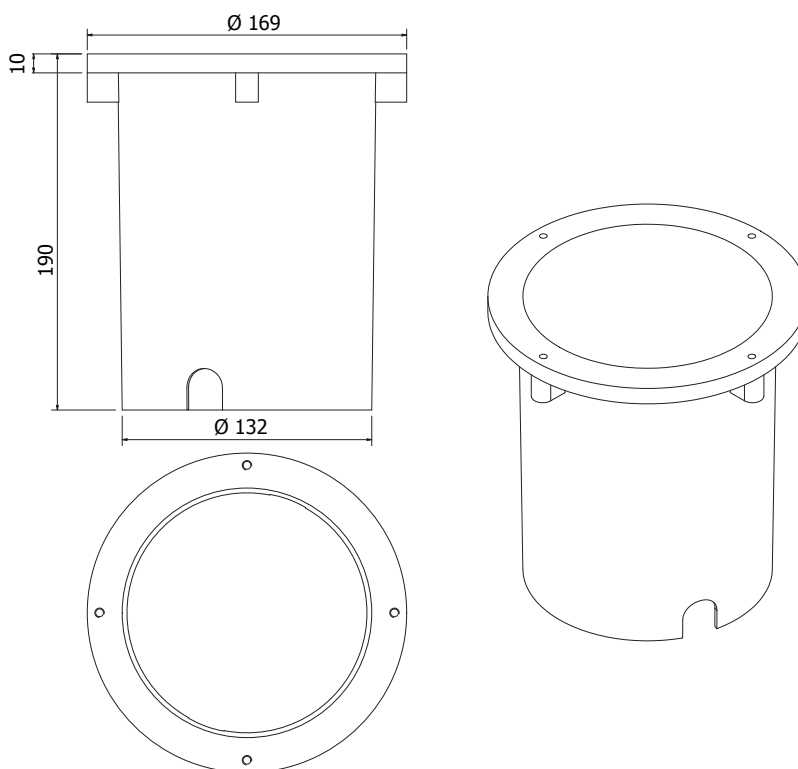
- (**) DALI line refer to next page to see the connection **.

- (**) linea DALI fare riferimento alla pagina seguente per i collegamenti **.

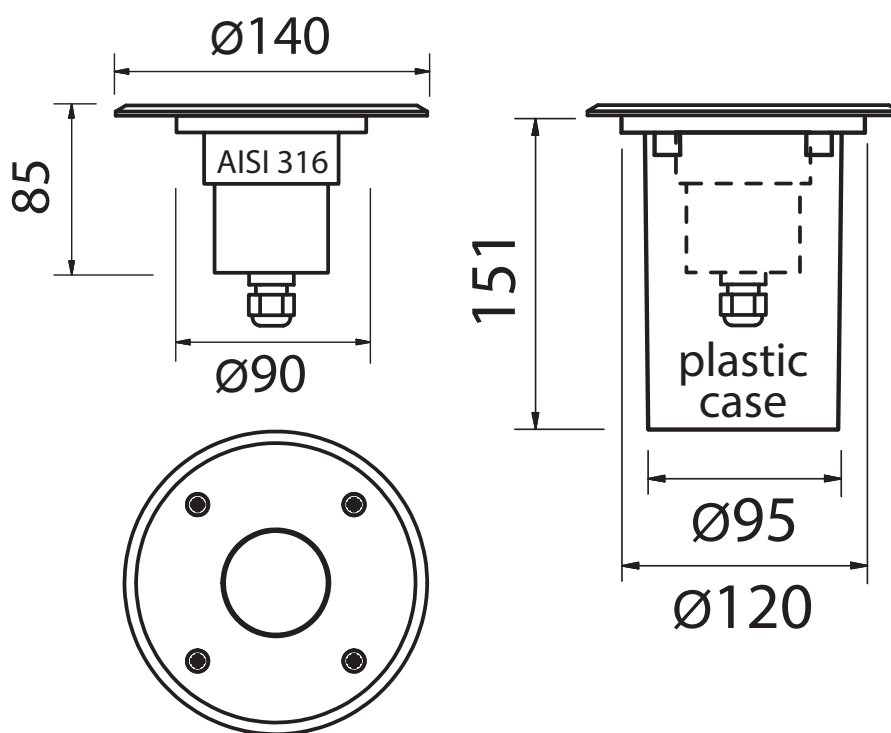
TERRA TL7 / SS316



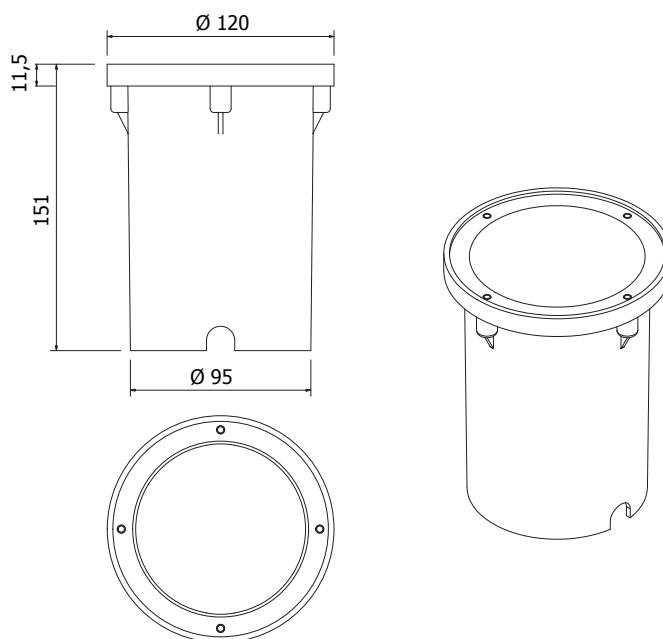
OPTIONAL



TERRA TL1 / SS316



OPTIONAL



Dichiarazione di conformità
Declaration of conformity
Déclaration de conformité



La ditta:
The firm: **Studio Due Trade s.r.l.**
L'entreprise:

dichiara sotto la propria responsabilità che il prodotto:
declare under our sole responsibility that the product:
déclare sous sa propre responsabilité que le produit:

M-TERRA TL1/316SS IP68 not for immersion (series)
RGBW and MONOCHROMATIC (all models)

è conforme alle norme:
is in conformity with the standard:
est conforme aux normes:



Low Voltage Directive: 2014/35/EU

EN 60598-1:2015
EN 62471:2008
EN 60529:1991 + A1:2000 + A2:2013
EN 60598.2.5:2015

EMC Directive: 2014/30/EU

EN 55103-1:2009 + A1:2012
EN 55015:2014
EN 55103-2:2009
EN 61547:2009
EN 61000-3-2:2014
EN 61000-3-3:2013

2011/65/EU: RoHS2 Directive

Data di apposizione:
Date of marking:
Date d'apposition:

24



VITERBO,

20/05/24

ROBERTO FRAIOLI
General Manager

Dichiarazione di conformità
Declaration of conformity
Déclaration de conformité



La ditta:
The firm: **Studio Due Trade s.r.l.**
L'entreprise:

dichiara sotto la propria responsabilità che il prodotto:
declare under our sole responsibility that the product:
déclare sous sa propre responsabilité que le produit:

TERRA TL7/316SS IP68 not for immersion (series)
RGBW and MONOCHROMATIC (all models)

è conforme alle norme:
is in conformity with the standard:
est conforme aux normes:



Low Voltage Directive: 2014/35/EU

EN 60598-1:2015
EN 62471:2008
EN 60529:1991 + A1:2000 + A2:2013
EN 60598.2.5:2015

EMC Directive: 2014/30/EU

EN 55103-1:2009 + A1:2012
EN 55015:2014
EN 55103-2:2009
EN 61547:2009
EN 61000-3-2:2014
EN 61000-3-3:2013

2011/65/EU: RoHS2 Directive

Data di apposizione:
Date of marking:
Date d'apposition:

24



VITERBO,

19/04/24

ROBERTO FRAIOLI
General Manager

Warranty CARD

Studio Due®

Company name:

Mr./Mrs./Miss:

Address:

Tel. or E-mail :

Dealer:

SALE CONDITIONS

1) Price quoted are not inclusive of lamp and package.
Package charge is 2% on the net price for all the items.
These prices should be subject to possible variations for eventual rises of production costs or duties.
Claims for possible damages during the freight, must be notified to the carrier.
Any claim must be notified within 8 days from the receipt of the goods.
The buyer is responsible of the right installation and use of the apparatus.
All the apparatuses are guaranteed for one year against defects of manufacture or materials.
Defects and breakages caused by wrong connection or use of the apparatuses are not subject to guarantee.
The lamp is excluded from the warranty.
For any dispute is competent the Tribunal of Viterbo.

CONDIZIONI DI VENDITA

1) I prezzi riportati sono esclusi di IVA, lampada ed imballaggio.
Il costo di imballaggio è del 2% sul prezzo netto per tutti gli articoli.
Detti prezzi possono essere soggetti a possibili variazioni per eventuali aumenti dei costi di produzione o imposte.
La merce viaggia a rischio e pericolo del committente, anche se in porto franco.
Reclami per possibili danni durante il trasporto, dovranno essere fatti esclusivamente al vettore.
Eventuali osservazioni sulle merci ricevute dovranno esserci notificate entro e non oltre 8 giorni dal ricevimento delle medesime. Sui ritardi dei pagamenti verrà conteggiato l'interesse commerciale.
L'acquirente si impegna a comunicare la propria esatta ragione sociale e partita IVA al momento dell'ordine e sotto la propria responsabilità di verificarla in fattura.
L'acquirente è responsabile della corretta installazione ed uso delle apparecchiature.
Tutte le apparecchiature godono della garanzia di un anno contro difetti di fabbricazione o di materiali, sono esclusi dalla garanzia danni derivanti da un cattivo uso o installazione delle apparecchiature.
Le lampade restano comunque escluse dalla garanzia.
Per ogni controversia è competente il Foro di Viterbo.

Studio Due[®]

emotion and creativity in light

Head Office: STUDIO DUE s.r.l. (I)

Str. Poggino, 100 - 01100 Viterbo (Italy)
tel. +39.0761.352520
fax +39.0761.352653
info@studiodue.com

STUDIO DUE (UK)

3 Encon Court Owl Close
Moulton Park Industrial Estate
Northampton England UK - NN3 6 HZ
tel. +44.1933.650.820
info@studiodue.co.uk

www.studiodue.com
for technical info
service@studiodue.com