



Studio Due®

emotion and creativity in light

MP
maxiPower color

RGBW (LEDs independent segments control)

Wash/flood light fixture with 6 independent segment control 8 LEDs, which can be controlled individually to create engaging eye candy that enhances any live production.

This type of luminous performance from such a compact device has been unthinkable until now. It is all thanks to an efficient microprocessor controlled thermal system combined with the use of a new high efficiency RGBW LED.

High performance 38.800lm RGBW LED wash/flood with 60lm/W efficiency. Flicker-free operation with 0-100% smooth dimming.

IP65 protection rating with XLR5 and Powercon connectors.

IP67 on request.

DMX-RDM / DRS

- Standard fixture colour finishing is black. Optional grey and white (art. FX-COLOUR).

TECHNICAL FEATURES

www.studiodue.com

ITEM	MPcolor 48 [KEY features]
LEDs	48 High Power RGBW Expected lifetime: 50.000 hours Color temperature range: 2000K-15000K CRI typical 85 Efficiency 60lm/W
Max power on LEDs	RED 636nm-116W - 7200lm GREEN 517nm-156W - 14000lm BLUE 452nm-156W - 2400lm WHITE 4000K-156W - 15200lm
Optics	PMMA 8N and 4mm ultra white tempered glass - 10° (38mm lenses) On request: 20°, 35°, 15°x30°, 30°x50° Available: 20°, 30° and 10°x80° diffuser holographic filter (to match with 10° lens) Available: 65° frost filter
Power supply	Surge Protection 10KA@8/20uS, 10KV 100-240VAC (140-336VDC); 47-63Hz Active Power Factor: PF>0.95@230V
Current	1,9A@230V - 3,8A@120V Inrush current: 40A@230V
Power	440W max
DMX channels	4, 9, 24 or 30
Physical	622x206x330 mm
Weight	16 Kg

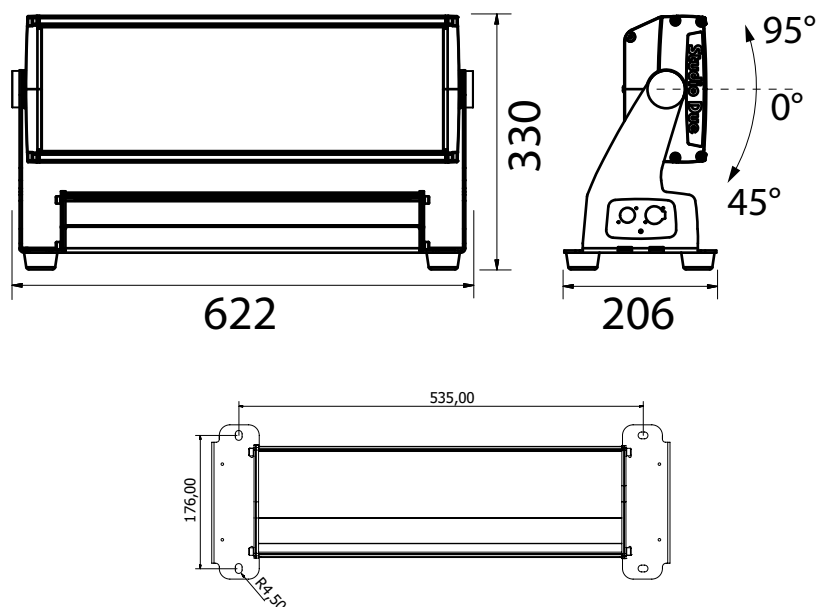
TECHNICAL FEATURES other

www.studiodue.com

ITEM	MPcolor 48
Control	Standard interface: RS-485, optocoupled input - Protocol: USITT DMX512, RDM
Connections	Signal: On panel Male-Female XLR5 IP65, on request cable Main power: Male-Female IP65 Power-Connector, on request cable Optional wireless DMX receiver (Wireless Solution)
Setup and configuration	RDM / DRS On board control panel with touch technolog Blue LED display with flip function Dedicated DMX channel for white balance (from 2900K to 13000K) DMX or Auto mode with Master-Slave function Halogen simulation CYM simulation Ultrafast strobe effect Electronic smooth dimming Flicker-free function
Environmetal and thermal management	Cooling: Digital sensor controlled IP68 FAN Temperature range, operating: -40°C to 45°C Temperature range, start-up: -30°C to 45°C Temperature range, storage: -40°C to 80°C Digital sensor progressive thermal protection Metal anti-condensation valve

PHYSICAL

www.studiodue.com



[* all fixtures of this series]
High immunity to voltage overloads thanks to the use of a 10KV-20KA Surge Protection Module capable of withstanding voltage and current pulses up to 10.000Volt and 20.000Ampere.