



# Studio Due®

emotion and creativity in light

The ARCHILED 200 RGBWA is the last version of the Archiled range. It's even more compact (only 100mm depth), elegant, highly reliable and even more robust from a mechanical point of view. IP 67 rating protection. With its 16 powerfull RGBW LEDs + 10 AMBER LEDs, is particularly adapt to be used to light up with deep beam of light, several final applications in the architectural field specifically for hotels and hospitality, retail and commercial malls, parks and landscapes, historical and cultural monuments. Touch control panel for easy configuration of the fixture.

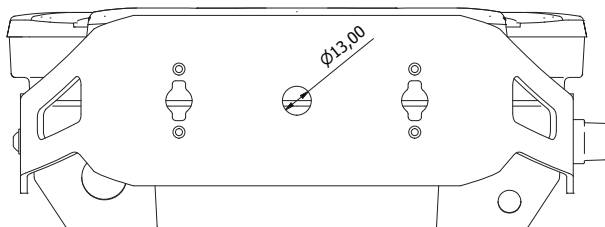
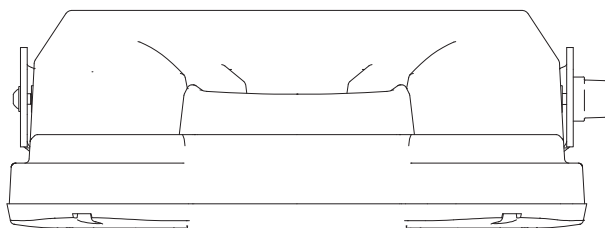
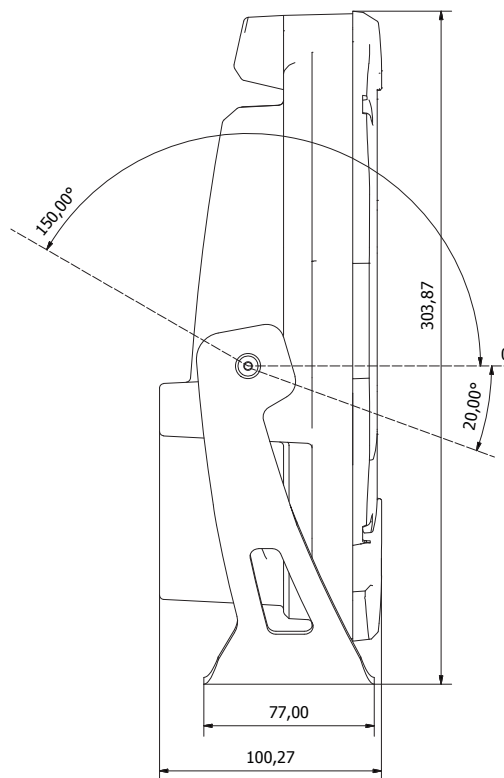
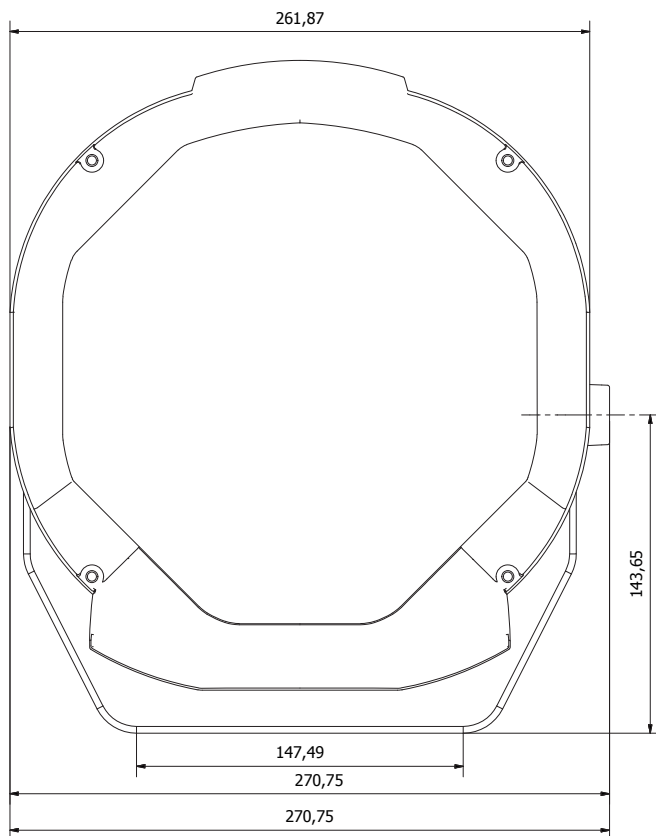
- Standard fixture colour finishing is black. Optional grey and white (art. FX-COLOUR).

ITEM	FIXTURE	[ KEY features ]
LEDs	RGBWA	16 (5050-20W-RTBH) + 10 Amber (hi-power LEDs)
Total light power		75W
Lumen		R 1500, G 3300, B 480, W 3500, A 1300
Optics		15° beam (38 mm lenses) - On request: 8°, 25°, 40°, 60°, 10°x30°
Tilt		Manual 160°
Switching power supply (universal voltage)		
Rated Voltage		100-240Vac; 47-65Hz
Rated Power		80W
Rated Current		I max 0.4A@230V
PFC		> 0,94
Physical		WxDxH: 270x100x303 mm
Weight		4,9 Kg
Control		Standard interface: RS-485; opto-couplet bi-directional Protocol: USITT DMX 512 / RDM > Integral Wireless DMX control (receiver) is available as an option (art. WI PCB-REC).
Connections		Main Power: 3x1 cable DMX INPUT: 4 Pin Male IP67 connector DMX OUTPUT: 4 Pin Female IP67 connector
Setup		Control panel with touch technology Led display with flip function Dedicated DMX channel for white balance DMX or Auto mode with Master-Slave function Intelligent temperature control Flicker-free function Smooth dimming function Halogen simulation CYM simulation RDM control/configuration or by DRS (remote control device)
DMX channels		10CH mode, 7CH mode, 6CH mode, 5CH mode
Other features		Heavy duty paint finish Marine grade treatment (optional)



PHYSICAL

www.studiodue.com



art. 1701 - 17011 - 17012

