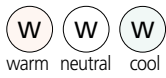


Studio Due®

emotion and creativity in light



warm neutral cool



- Industrial areas •
- Logistic areas •
- Recreational areas •
- Sportive arenas •

MP₂₄₀
maxi Power
modular system

A new range of modular HIGH-EFFICIENCY LED luminaires that combine high light output in a compact size.

The use of a new forged aluminium heat sink has made it possible to reduce the fixtures weight and dimensions increasing efficiency.

The new NICHIA NVSW319AT LEDs produces an effective efficiency of over 130lumen Watt.

Options to change the luminaires brightness via DMX and via DALI.

Completely modular, it is possible to assemble a single group of MP luminaires with a total light output up to 168.000 lm.

Different mounting brackets and accessories are available for installation at ground level, on poles or columns, on buildings and other structures.

- Standard fixture colour finishing is grey.
- Optional black and white (art. FX-COLOUR).
- Optional: marine grade treatment.

ITEM	[KEY features] - MP MAXI POWER 240
LEDs	240 Hi-Power WHITE LED NICHIA NVSW319AT
CCT	4000K (3000K, 5600K available)
CRI	>70 (>80 available)
Useful life	L70 >60.000 hours
Total light power	540W
Lumen	84.000 (cool white led)
Optics	6°, 12°, 20°, 30°, 45°, 60°, 12°x48°
Housing	Made in extruded and die-cast aluminium + steel. Ultraclear 4mm tempered glass. Powder-coated finish.
Protection rating	IP65 - On request IP67 with connection box
Tilt	Manual 290° Two adjustable light blocks -5° ... +20° each
Control	Dim Control Interface DMX-RDM and DALI
Connections	Power Connection IP65 POWERCON connector (or IP67 cable gland) Signal Connection IP65 XLR 5pins connector 1-2-3 DMX, 4-5 DALI (or IP67 cable gland)
Switching power supply	Surge Protection 10KA, 20KV max (Differential and Common mode Protections) *
Voltage Range	180-240Vac; 47-65Hz
Gear Unit	N.1x 600W
Power Consumption	580W
Inrush Current	60A (230Vac)
Power Factor (PFC)	>0,95
Operating Temperature	-20° to +40°
Physical	672x204x569mm
Weight	33 Kg

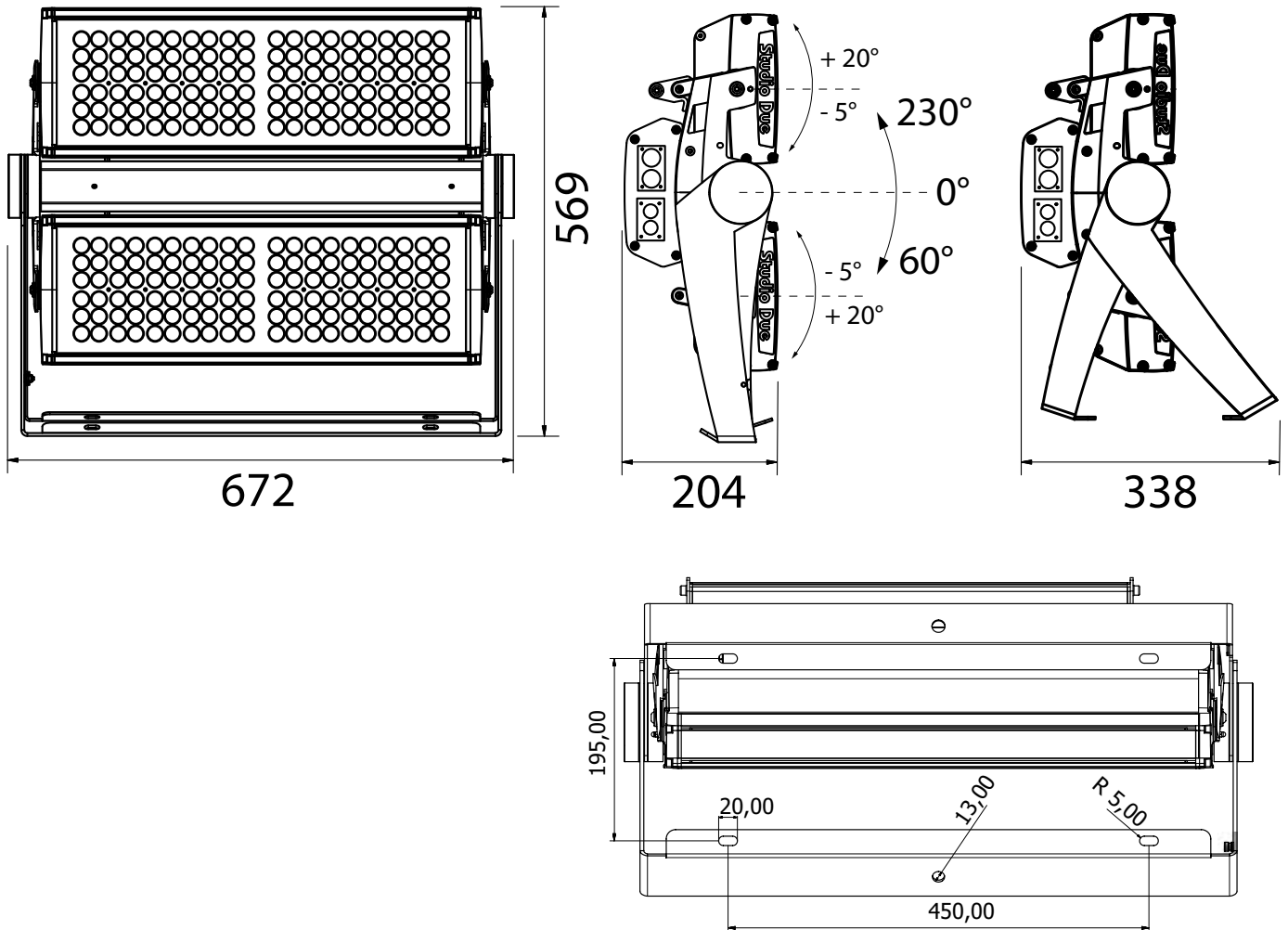


warm neutral cool



PHYSICAL

www.studiodue.com



[* all fixtures of this series]
High immunity to voltage overloads thanks to the use of a 10KV-20KA Surge Protection Module capable of withstanding voltage and current pulses up to 10.000Volt and 20.000Amper.e