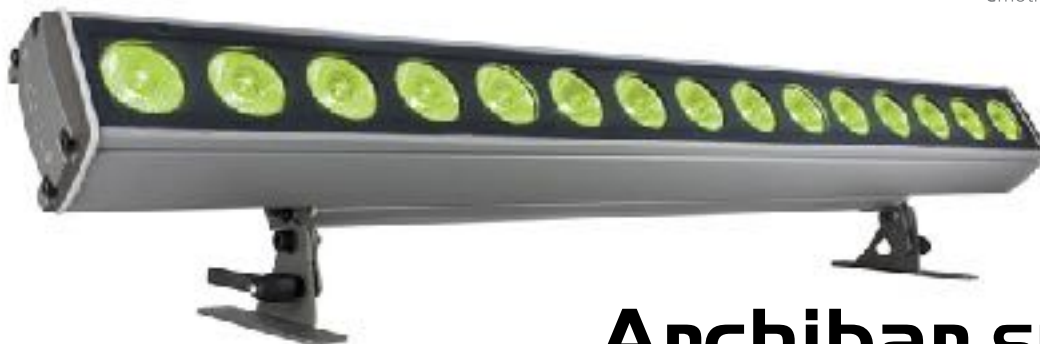




art. 1519  
ARCHIBAR SL300 RGBW/FC

# Studio Due

emotion and creativity in light



## Archibar SL 300/FC

**RGBW**

Top product within Archibar series, is the ARCHIBAR SL300 RGBW/FC equipped with high powerful LEDs. Robust and reliable case, the new luminarie, IP67 rated is suitable for architectural and entertainment applications. It has a modern and appealing style which reflect the italian design

Available in 3 different measures:

- Standard 90 cm.
- On request 60 - 120 cm
- Standard fixture colour finishing is grey. Optional black and white (art. FX-COLOUR).

### TECHNICAL FEATURES (90cm standard)

#### • SOURCE

n. 15 RGBW-FC-LEDs  
Total out lumen:  
R 1400lm, G 2300lm, B 450lm, W 3300lm

Total light power: 140W

#### • OPTIC

25° (45 mm lenses)  
On request: narrow, wide, elliptic 45 mm lenses

#### • TILT

Manual 160°

#### • CONTROL

Standard interface: RS-485  
Protocol: USITT DMX 512

#### • CONNECTIONS

Signal: 4pin IP 67 connector (male-female)  
possibility to link up to 32 devices in chain  
Available as accessories:  
- Wireless DMX receiver  
Main Power: 3pin IP 67 connector (male-female)  
possibility to link up to 6 devices at 230V or  
3 devices at 120V in chain.

#### • SAFETY

n. 2 eyebolts for safety chains

#### • SETUP AND CONFIGURATION

Control panel with touch technology and led display  
with flip function  
or by DRS (remote control device)  
Dedicated DMX channel for white balance  
DMX or Auto mode with Master-Slave function  
Intelligent temperature control  
Halogen simulation  
CYM simulation  
Flicker-free function  
Smooth dimming function

#### • IP 67 RATING PROTECTION

#### • POWER SUPPLY

Voltage range: 100-240VAC  
Frequency range: 47-63Hz  
Active Power factor:  
PF>0.94/230VAC, PF>0.98/120VAC  
Current:  
0.70A@230VAC, 1.25A@120V  
Power: 150W  
Fuse T5A (inside fixture)

#### • DMX CHANNELS

9CH mode, 6CH mode, 5CH mode, 4CH mode

#### • PHYSICAL

WxDxH: 925 x110x93 mm (dimension of profile)  
Weight: 6,7 Kg.

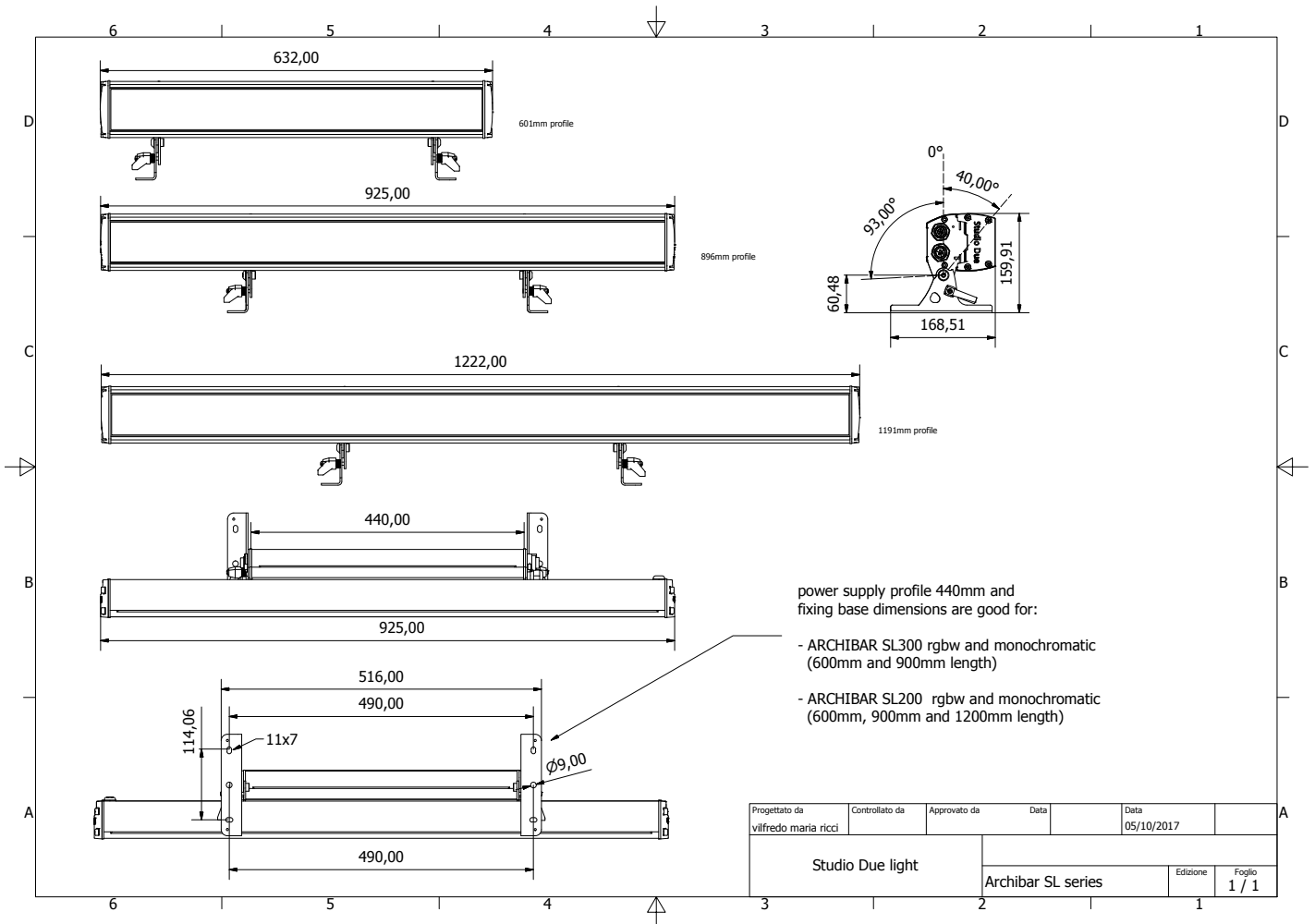


link to the website page

# Studio Due

emotion and creativity in light

## PHYSICAL



© Copyright 2014 **Studio Due light srl**  
Strada Poggino, 100  
01100 Viterbo (Italy)  
tel. +39.0761.352520 (4 lines)  
fax +39.0761.352653  
C.F. e P. IVA 05793121004

# Studio Due

emotion and creativity in light

## PHYSICAL

