



Archibar SL 200

monochromatic and white balance

Available in MONOCHROMATIC light source and WHITE BALANCE.

Available in 4 different measures

• Standard 90 cm. • On request 60 - 120 - 150 cm

• Standard fixture colour finishing is grey. Optional black and white (art. FX-COLOUR).

TECHNICAL SPECIFICATION (standard 90cm)

• SOURCE

monochromatic: n. 30 LEDs - 5000K
on request: 3000K, 4000K, 6000K white LEDs
or red, green, blue, amber)
white balance: n. 15 (2900K) warm white LEDs
n. 15 (6000K) cool white LEDs

Total out lumen: 12000lm

Total light power: 90W

• OPTIC

25° (38 mm lenses)
On request: narrow, wide (38 mm lenses)

• TILT

Manual 160°

• CONTROL

- monochromatic: none
- white balance:
Standard interface: RS-485
Protocol: USITT DMX 512

• CONNECTIONS

- monochromatic: none
- white balance:
Signal: 4pin IP 67 connector (male-female)
possibility to link up to 32 devices in chain
Available as accessories:
- Wireless DMX receiver
Main Power: 3pin IP 67 connector (male-female)
possibility to link up to 8 devices at 230V or
4 devices at 120V in chain.

• SAFETY

n. 2 eyebolts for safety chains

• SETUP AND CONFIGURATION

- monochromatic: none
- white balance:
Control panel with touch technology and led display
with flip function or by DRS (remote control device)
Dedicated DMX channel for white balance

DMX or Auto mode with Master-Slave function

Intelligent temperature control

Halogen simulation

CYM simulation

Flicker-free function

Smooth dimming function

• IP 67 RATING PROTECTION

• POWER SUPPLY

Voltage range: 100-240VAC

Frequency range: 47-63Hz

Active Power factor:

PF>0.94/230VAC, PF>0.98/120VAC

Current:

0.50A@230VAC, 0.9A@120V

Power: 100W

Fuse T3,15A (inside fixture)

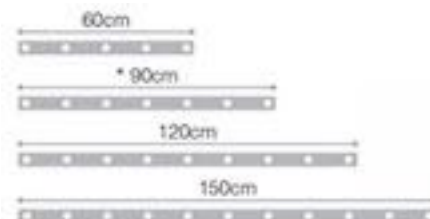
• DMX CHANNELS

- monochromatic: 3CH and 1CH mode
- white balance: 3CH, 2CH and 1CH mode

• PHYSICAL

WxDxH: 925 x110x93 mm (dimension of profile)

Weight: 6 Kg.

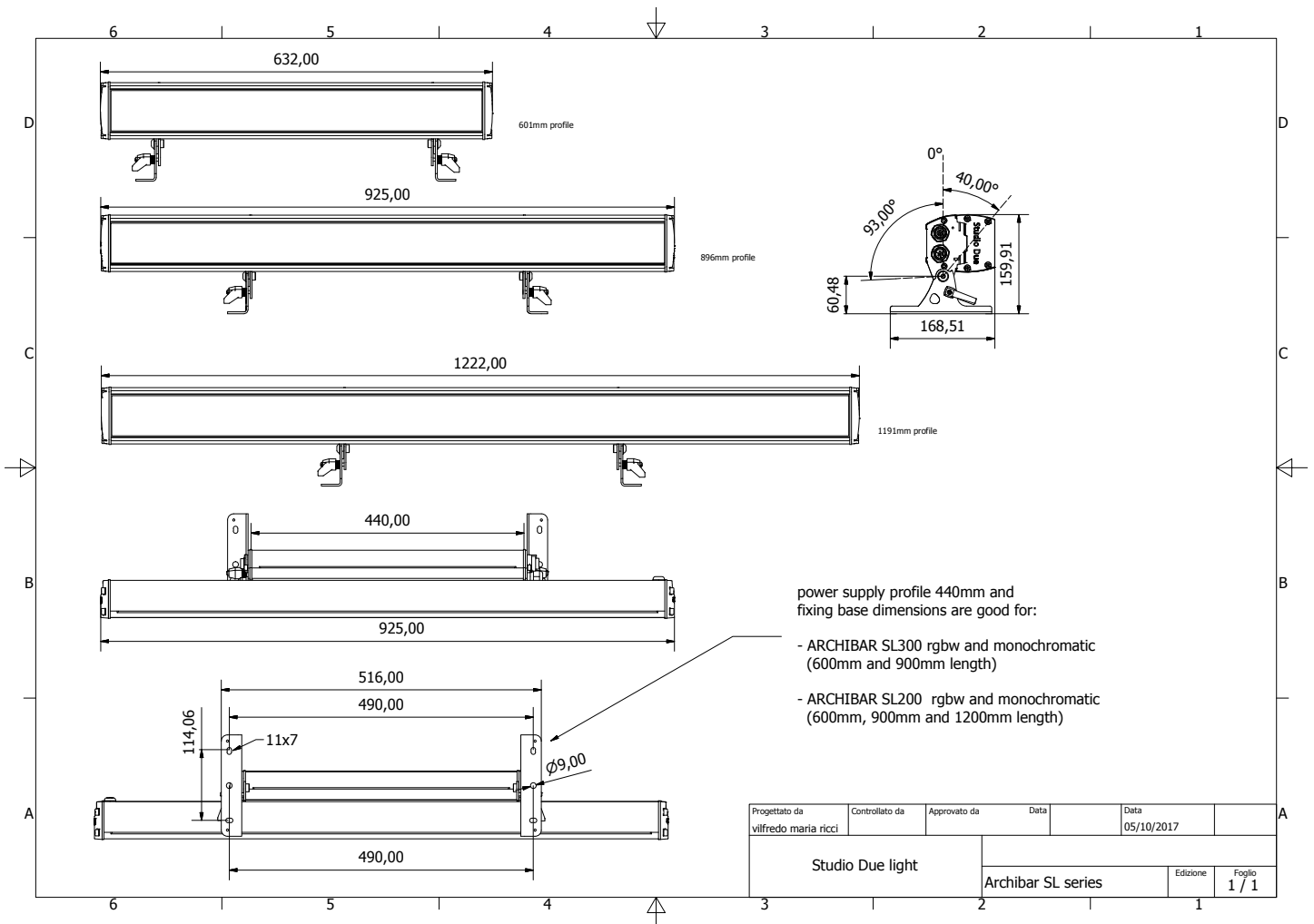


link to the website page

Studio Due

emotion and creativity in light

PHYSICAL



Archibar SL200 white balance or monochromatic dimmable version

© Copyright 2014 Studio Due light srl
 Strada Poggino, 100
 01100 Viterbo (Italy)
 tel. +39.0761.352520 (4 lines)
 fax +39.0761.352653
 C.F. e P. IVA 05793121004

Studio Due

emotion and creativity in light

PHYSICAL

