



- Compact and lightweight
- No fan, very quiet operation
- IP67 protection rating

PARLED 200 PRO DRS IP67 is our RGBW Full Color flood light projector.
Fixture configuration by DRS Setup.

Suitable for touring, tv studios, venues, theatres and generally for the architainment market.
This fixture is wireless ready. Integral Wireless DMX control is available as an option (art. WI PCB-REC).

- Standard fixture colour finishing is black. Optional grey and white (art. FX-COLOUR).

TECHNICAL FEATURES

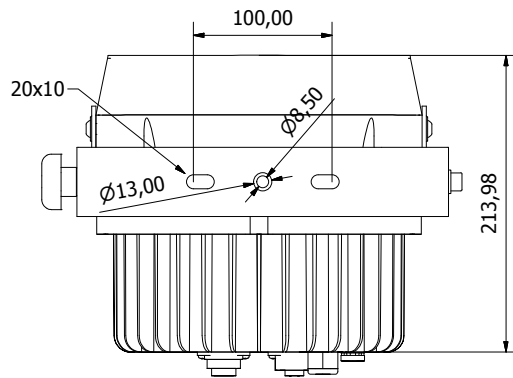
www.studiodue.com

| ITEM | FIXTURE | [KEY features] |
|-----------------------------|---------|--|
| LEDs | RGBW | 16 RGBW/FC (supplied 600mA) |
| Total light power | | 100W |
| Lumen | | Red 1500, Green 2200, Blue 450, White 3000 |
| Optics | | 15° beam (38 mm lenses) On request: medium and wide beam |
| Power consumption | | 100W - 0,45A@230Vac - PF >0,95 |
| Voltage range | | Universal 100 - 240Vac |
| Physical | | 305x212x346 mm |
| Weight | | 6,5 Kg |
| Operating temperature range | | Ta -20° +45° / Tc 75° |
| Control | | Standard interface: RS-485; opto-couplet bi-directional Protocol: USITT DMX 512, RDM Protocol ready > Integral Wireless DMX control (receiver) is available as an option (art. WI PCB-REC). |
| Connections | | Signal: 4pin IP 67 connector (male-female) possibility to link up to 32 devices in chain |
| Setup | | By DRS (remote control device) Dedicated DMX channel for white balance DMX or Auto mode with Master-Slave function Halogen simulation CYM simulation Flicker-free function Smooth dimming function |
| DMX channels | | 9CH mode, 6CH mode, 5CH mode, 4CH mode |



PHYSICAL

www.studiodue.com



PARLED 200 PRO series

