



**Par-Bar**  
LED spot line

PARBAR is our new wash LEDs multipar RGBW/FC system. Suitable for touring, tv studios, venues, theatres and generally for the entertainment market.

Is wireless ready. Integral Wireless DMX control is available as an option (art. WI PCB-REC).

- Standard fixture colour finishing is black. Optional grey and white (art. FX-COLOUR).

## TECHNICAL FEATURES

### • SOURCE

n. 14x4 RGBW Full Color LEDs  
Total out lumen:  
Red 4000lm, Green 7000lm, Blue 1200lm, White 8500lm

### • OPTIC

15° standard beam (38mm lenses)  
On request: medium, wide 38mm lenses

### • PAN & TILT

Manual: Pan 160° - Tilt 240°

### • CONTROL

Standard interface: RS-485; opto-couplet input  
Protocol: USITT DMX 512

### • CONNECTIONS

Signal: XRL 3pin and 5pin connector (male-female)  
Available as accessories:  
- Wireless DMX receiver  
Main Power: POWERCON 3pin connector (male-female)  
possibility to link up to 6 devices at 230V  
or 3 devices at 120V in chain.

### • SETUP AND CONFIGURATION

Control panel with 4 push buttons  
LCD display for setup + 3 digit LED for DMX channel view  
Display with flip function  
Dedicated DMX channel for white balance  
DMX or automatic mode with MASTER/SLAVE function  
Intelligent temperature control  
Flicker free function  
Smooth dimming function  
Halogen simulation  
CYM emulation  
Remote configuration by DRS Setup device

### • IP 20 RATING PROTECTION

### • POWER SUPPLY

Voltage range: 100-240VAC  
Frequency range: 47-63Hz  
Active Power factor: PF>0.99/230VAC,  
PF>0.99/120VAC  
1.8A@230VAC, 3,5A@120V

Power: 400W

Fuse T5A

### • DMX CHANNELS

- 21 ch mode
- 16 ch mode
- 4 ch mode

### • PHYSICAL

WxDxH: 1250x160x340mm  
Weight: 16,5 Kg.



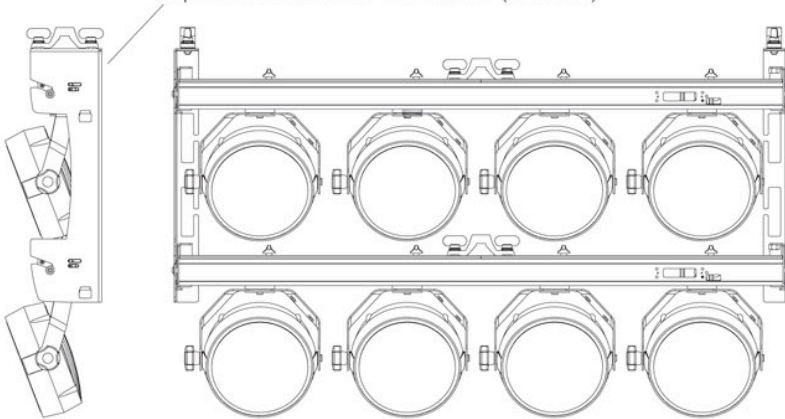
Click on the QR Code  
with your smartphone  
to go directly to the  
fixture website page

# Studio Due

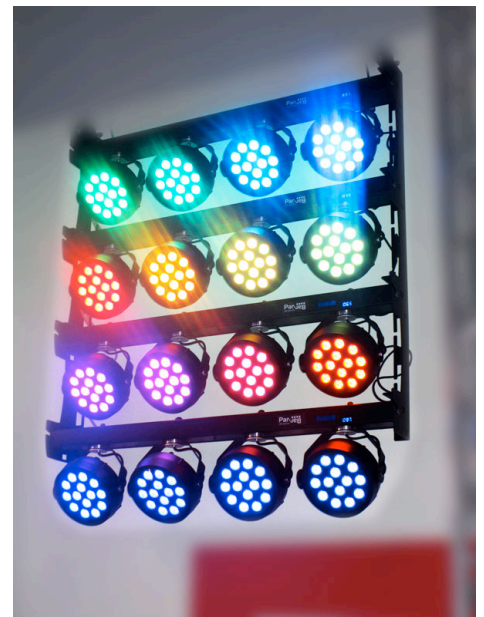
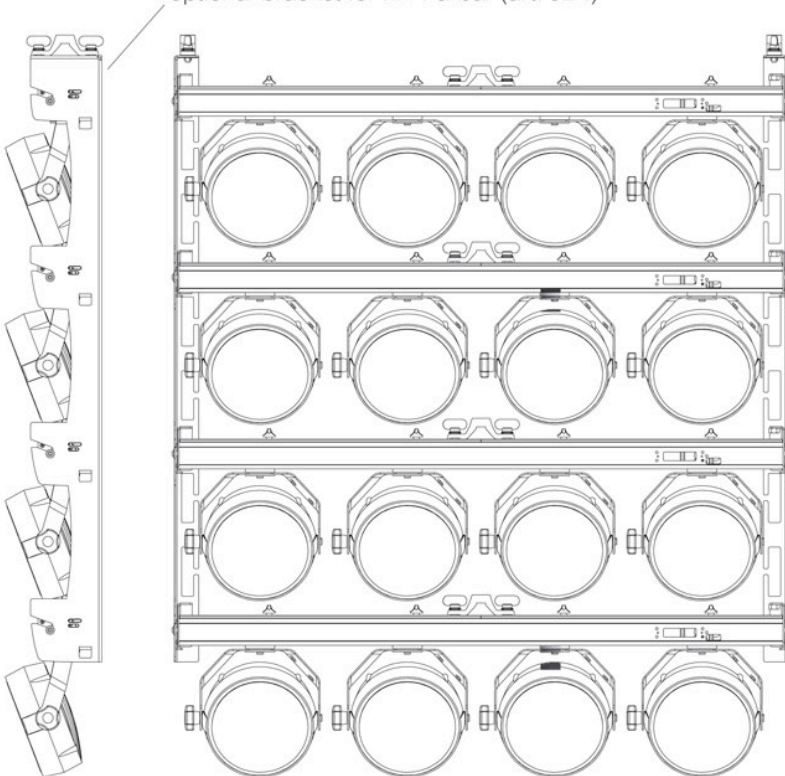
emotion and creativity in light

## PHYSICAL

example of mounting with  
optional bracket for n.2 Parbar (art. JB2)



example of mounting with  
optional bracket for n.4 Parbar (art. JB4)



© Copyright 2014 Studio Due light srl  
Strada Poggino, 100  
01100 Viterbo (Italy)  
tel. +39.0761.352520 (4 lines)  
fax +39.0761.352653  
C.F. e P. IVA 05793121004

Specifications are subject to change without notice. Trademarks are the property of Studio Due Light Srl  
[www.studiodue.com](http://www.studiodue.com)