

Studio Due

emotion and creativity in light



900mm version

Archibar SL 100/fc

RGBW

The new ARCHIBAR SL100/fc .

Available in three different measures: 600mm, 900mm, 1200mm with 5, 7 or 9 RGBW/Full Color LEDs.

TECHNICAL FEATURES

• SOURCE

(600mm): n. 5 RGBW-FC-LEDs

(900mm): n. 7 RGBW-FC-LEDs

(1200mm): n.9 RGBW-FC-LEDs

• LUMINOUS FLUX:

(600mm): R 430lm, G 650lm, B 130lm, W 870lm

(900mm): R 600lm, G 780lm, B 180lm, W 1200lm

(1200mm): R 760lm, G 1180lm, B 240lm, W 1580lm

• TOTAL LIGHT POWER

(600mm): 35W

(900mm): 49W

(1200mm): 63W

• OPTIC

15X30° (38 mm lenses)

On request: narrow, wide 38 mm lenses

• MANUAL TILT 160°

• CONTROL

Standard interface: RS-485

Protocol: USITT DMX512

• CONNECTIONS

Signal: 3pin IP 67 connector (male-female) possibility to link up to 32 devices in chain.

Available as accessories:

- Wireless DMX receiver

Main Power: 3pin IP67 connector (male-female) possibility to link up to 10 devices at 230V or 6 devices at 120V in chain.

• IP 67 RATING PROTECTION

• SAFETY

n. 2 eyebolts for safety chains

• SETUP AND CONFIGURATION

By DRS (remote control device)

Dedicated DMX channel for white balance

DMX or Auto mode with Master-Slave function

Intelligent temperature control

Halogen simulation

CYM simulation

Flicker-free function

Smooth dimming function

• POWER SUPPLY

Switching power supply (universal main voltage)

Rated voltage: 100-240V~; 47-63Hz

Active Power factor:

PF>0.90/230VAC, PF>0.98/120VAC

Current: 0.19A@230VAC, 0.27A@120V (600mm)

0.23A@230VAC, 0.35A@120V (900mm)

0.30A@230VAC, 0.45A@120V (1200mm)

Fuse T3,15A (inside fixture)

Power: (600mm) 43W (all color full power)

(900mm) 54W (all color full power)

(1200mm) 69W (all color full power)

• DMX CHANNELS

- mode 9 ch
- mode 6 ch
- mode 5 ch
- mode 4 ch

• PHYSICAL

WxDxH: (900mm) 927,6x60x91,4mm
(dimension of profile)

Weight: (600mm) 2,7 Kg.

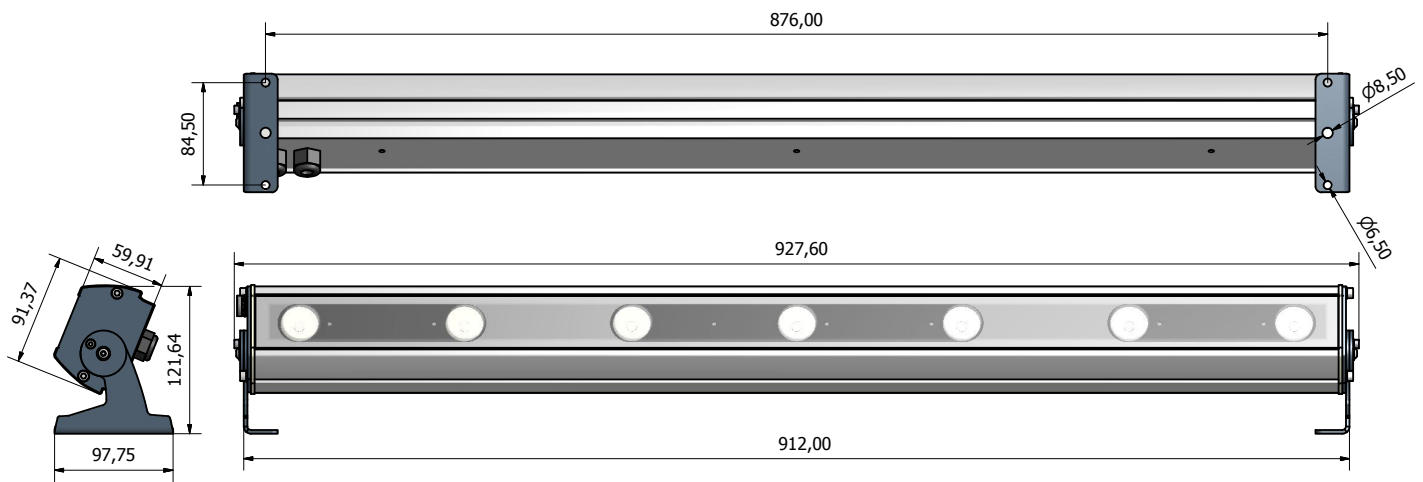
(900mm) 3,8 Kg.

(1200mm) 5 Kg.

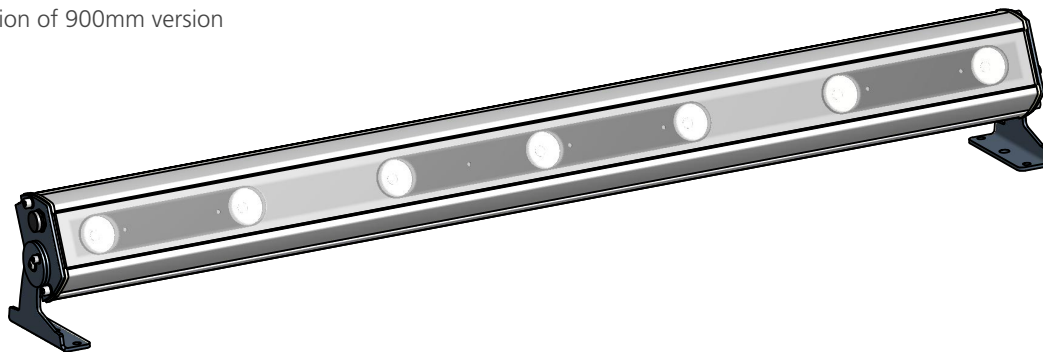
Studio Due

emotion and creativity in light

PHYSICAL



dimension of 900mm version



art. 1517
ARCHIBAR SL100/FC

Studio Due

emotion and creativity in light



600mm version - 5 LEDs



900mm version - 7 LEDs



1200mm version - 9 LEDs

© Copyright 2014 **Studio Due light** srl
Strada Poggino, 100
01100 Viterbo (Italy)
tel. +39.0761.352520 (4 lines)
fax +39.0761.352653
C.F. e P. IVA 05793121004

Specifications are subject to change without notice. Trademarks are the property of Studio Due Light Srl
www.studiodue.com